



SANYO Semiconductors DATA SHEET

LA42072 — Monolithic Linear IC Audio Output for TV application 7W × 2ch Power Amplifier

Overview

LA42072 is 7W 2-channel AF power amplifier intended for televisions.

Functions

- 7W × 2 channel ($V_{CC} = 12V$, $R_L = 8\Omega$).
- Standby function.
- Mute function.
- Thermal protection circuit.

LA42000 series is power IC which made Pin compatible altogether in 5 to 15W. They consist of four kinds of power ICs (mono, stereo, mono with volume function, stereo with volume function. They realized PCB layout communalization of an audio power block of TV).

Model name	P _O	Channel		Volume
		Monaural	Stereo	
LA42051	5W	○		
LA42052	5W		○	
LA42351	5W	○		○
LA42352	5W		○	○
LA42071	7W	○		
LA42072	7W		○	
LA42152	15W		○	

Maximum Ratings at Ta = 25°C

Parameter	Symbol	Conditions	Ratings	Unit
Maximum supply voltage	V _{CC} max	No signal	24	V
Allowable power dissipation	P _d max	Infinite heat sink	15	W
Maximum junction temperature	T _j max		150	°C
Thermal resistance	θ _{jc}		3	°C/W
Operating temperature	T _{opr}		-25 to +75	°C
Storage temperature	T _{stg}		-40 to +150	°C

■ Any and all SANYO products described or contained herein do not have specifications that can handle applications that require extremely high levels of reliability, such as life-support systems, aircraft's control systems, or other applications whose failure can be reasonably expected to result in serious physical and/or material damage. Consult with your SANYO representative nearest you before using any SANYO products described or contained herein in such applications.

■ SANYO assumes no responsibility for equipment failures that result from using products at values that exceed, even momentarily, rated values (such as maximum ratings, operating condition ranges, or other parameters) listed in products specifications of any and all SANYO products described or contained herein.

LA42072

Operating Conditions at $T_a = 25^\circ\text{C}$

Parameter	Symbol	Conditions	Ratings	unit
Recommended supply voltage	V_{CC}		12	V
Recommended load resistance	R_L		8	Ω
Allowable operating voltage range	$V_{CC\text{ op}}$		5.5 to 20	V

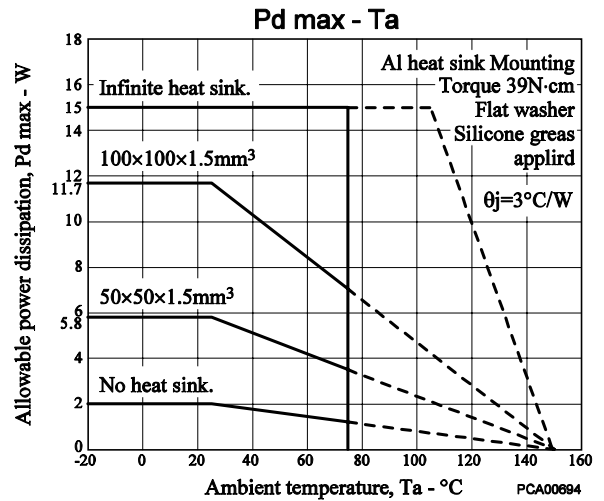
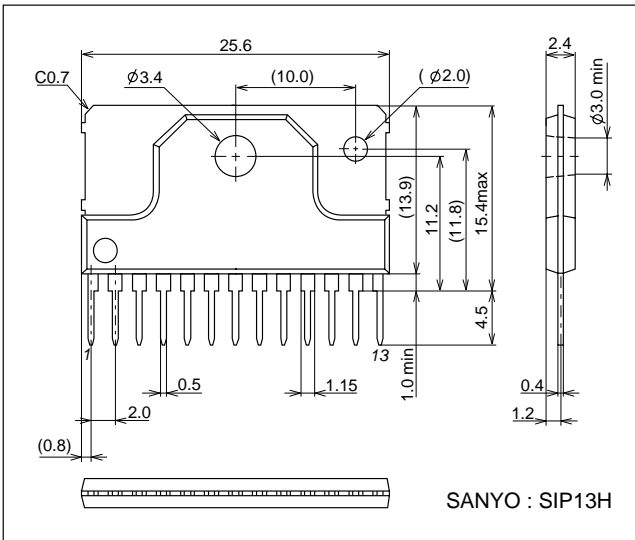
Electrical Characteristics at $T_a = 25^\circ\text{C}$, $V_{CC} = 12\text{V}$, $R_L = 8\Omega$, $f = 1\text{kHz}$, $R_g = 600\Omega$

Parameter	Symbol	Conditions	Ratings			Unit
			min	typ	max	
Standby current	I_{ST}	Amplifier off		0	10	μA
Quiescent current	I_{CCO}	$R_g = 0$	40	70	150	mA
Output power	P_O	THD = 10%	6	7		W
Total harmonic distortion	THD	$P_O = 1\text{W}$		0.06	0.2	%
Voltage gain	VG	$V_O = 0\text{dBm}$	33	35	37	dB
Output noise voltage	V_{NO}	$R_g = 0$, BPF = 20Hz to 20kHz		0.1	0.3	mVrms
Ripple rejection	SVRR	$R_g = 0$, $f_R = 100\text{Hz}$, $V_{CCR} = 0\text{dBm}$	50	60		dB
Channel separation	CH.Sep	$R_g = 10\text{k}\Omega$, $V_O = 0\text{dBm}$	50	60		dB
Mute Attenuation	ATT	$V_o = 1\text{Vrms}$, BPF=20Hz to 20kHz	80	90		dB
Mute control voltage (pin 6)	V_{mute}	Mute ON	1.7		3.0	V
		Mute OFF	0		0.5	V
Standby control voltage (The Pin 5 voltage)	V_{ST}	Amplifier on	2.5		20	V
		Amplifier off	0		0.5	V
Input resistance	R_i		14	20	26	$\text{k}\Omega$

Package Dimensions

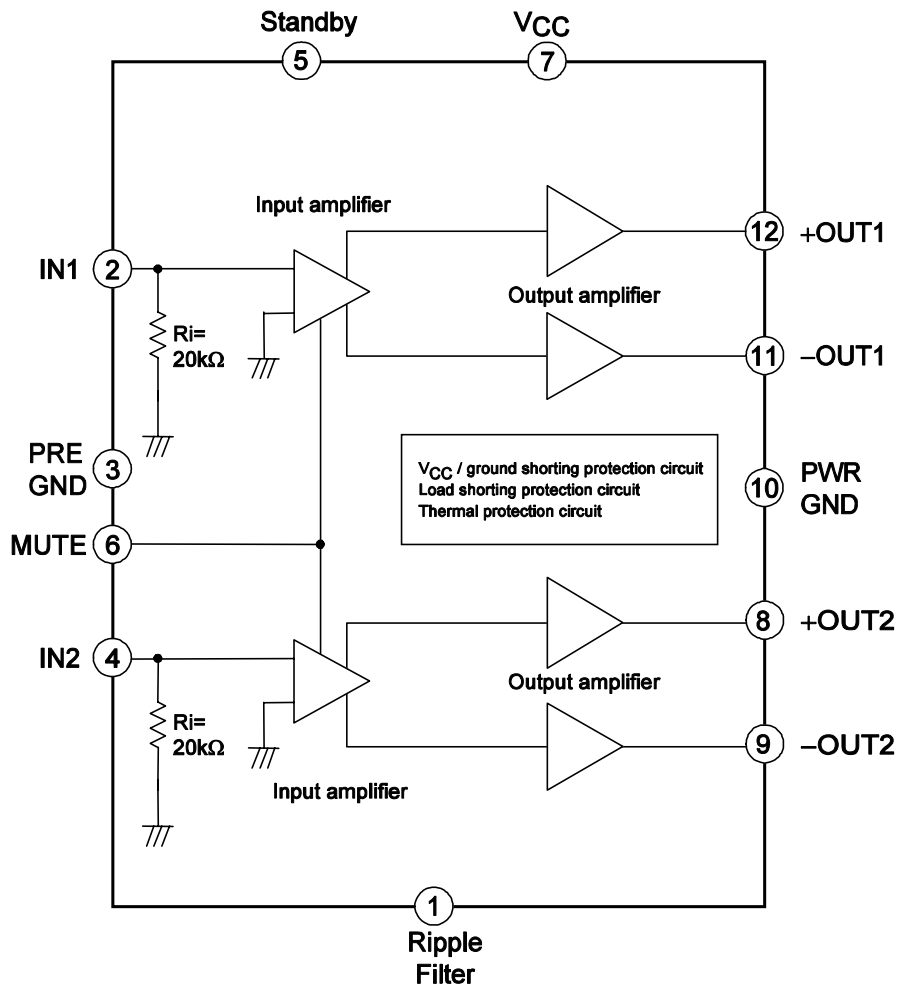
unit : mm

3107B

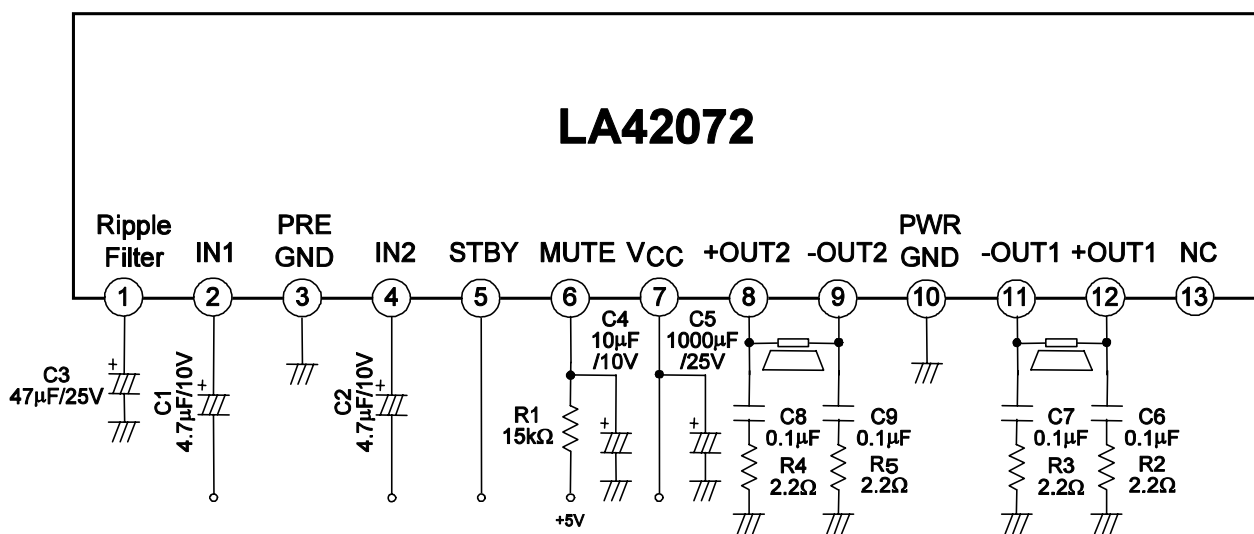


LA42072

Block Diagram



Application Circuit Example



External Components

- C1,C2 : Input coupling capacitors, which are recommended to be 4.7μF or less. The input circuit is of a zero bias type, so that the input pin potential is close to zero volts. Therefore, the polarity must be determined depending on the DC potential of a circuit connected in the previous stage of LA42072.
- C3 : Capacitor for the starting time of ripple filter and amplifier, which is recommended to be 47μF.
- C4,R1 : Capacitor and resistor for muting. C4 is necessary even when no muting function is provided.
- C5 : Power supply capacitor.
- C6 to C9 : Capacitors and resistors for prevention of oscillation. For C6 to C9, polyester film capacitors, and having R2 to R5 satisfactory temperature characteristics are recommended. Uses 2.2Ω resistor together.

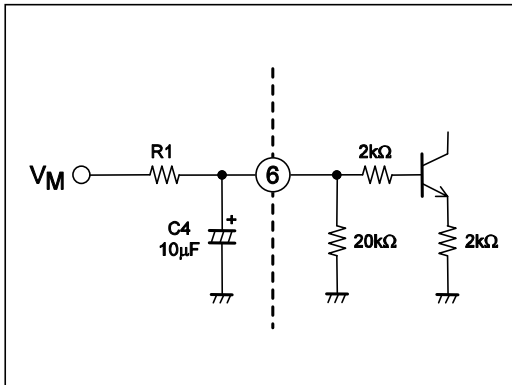
1. Muting function (Pin 6)

Mute ON when the voltage of pin 6 is 1.7V (min) or more.

Set the V_M application voltage so that the voltage of pin 6 becomes 1.7V or more.

The time constant of mute is determined with R1 and C4. The constant must be determined after review because it is concerned with the pop sound at mute ON/OFF. C4 is concerned with the pop sound also when the amplifier is turned ON, so that this is necessary even when the mute function is not used.

Example: The voltage of pin 6 becomes about 1.8V under conditions of $V_M = 5V$ and $R1 = 15k\Omega$.



2. Standby function (Pin 5)

The amplifier is turned ON when the voltage of 2.5V (min) or more is applied to pin 5.

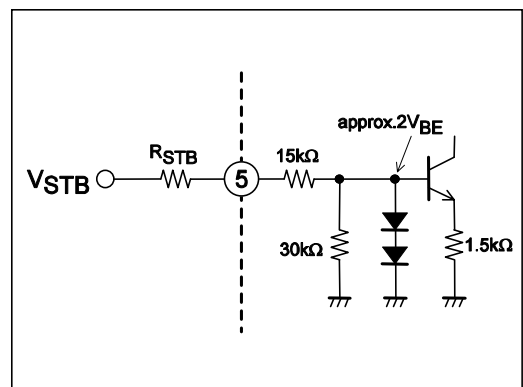
Control Voltage of pin 5

Pin 5 voltage	Amplifier	Standby
0 to 0.5V	OFF	ON
2.5 to 20V	ON	OFF

To suppress 5 pin inflow current when the impressed voltage of V_{STB} is high, limitation resistance (R_{STB}) is inserted.

Example: Limiting the inrush current to pin 5 to 500μA or less

$$R_{STB} = \frac{\text{Application voltage } (V_{STB}) - 2V_{BE}(\text{about } 1.4V)}{500\mu A} - 15k\Omega$$



Usage Notes

1. Lightning (power supply - output short-circuit), ground fault (GND - output short-circuit), and load short-circuit protection circuits are incorporated. These protection circuits are activated in case of abnormal connection. These circuits are active while above abnormal connection continues and reset automatically when such abnormality is removed. Depending on operation conditions, the protective circuits remain locked and continue to be active even when abnormal condition is removed. In this case, turn OFF standby or power supply temporarily and the protective circuits can be reset.
2. The thermal protective circuit is incorporated, which is activated when the junction temperature (T_j) rises to about 160°C or more, controlling the output gradually to the attenuated condition.
3. During use near the maximum rating, the product may suffer damage if even the slightest fluctuation of condition exceeds the maximum rating. Be sure to use the product within a range which never exceeds the maximum rating while allowing sufficient margin for the supply voltage, etc.

- Specifications of any and all SANYO products described or contained herein stipulate the performance, characteristics, and functions of the described products in the independent state, and are not guarantees of the performance, characteristics, and functions of the described products as mounted in the customer's products or equipment. To verify symptoms and states that cannot be evaluated in an independent device, the customer should always evaluate and test devices mounted in the customer's products or equipment.
- SANYO Electric Co., Ltd. strives to supply high-quality high-reliability products. However, any and all semiconductor products fail with some probability. It is possible that these probabilistic failures could give rise to accidents or events that could endanger human lives, that could give rise to smoke or fire, or that could cause damage to other property. When designing equipment, adopt safety measures so that these kinds of accidents or events cannot occur. Such measures include but are not limited to protective circuits and error prevention circuits for safe design, redundant design, and structural design.
- In the event that any or all SANYO products (including technical data, services) described or contained herein are controlled under any of applicable local export control laws and regulations, such products must not be exported without obtaining the export license from the authorities concerned in accordance with the above law.
- No part of this publication may be reproduced or transmitted in any form or by any means, electronic or mechanical, including photocopying and recording, or any information storage or retrieval system, of otherwise, without the prior written permission of SANYO Electric Co., Ltd.
- Any and all information described or contained herein are subject to change without notice due to product/technology improvement, etc. When designing equipment, refer to the "Delivery Specification" for the SANYO product that you intend to use.
- Information (including circuit diagrams and circuit parameters) herein is for example only; it is not guaranteed for volume production. SANYO believes information herein is accurate and reliable, but no guarantees are made or implied regarding its use or any infringements of intellectual property rights or other rights of third parties.

This catalog provides information as of April, 2006. Specifications and information herein are subject to change without notice.