



DESCRIPTION

PT2311 is a four-channel digital control audio processor utilizing CMOS technology. Volume, Bass, Balance, Front/Rear Fader Processor, Selectable Input Gain are incorporated into a single chip having the highest performance and reliability with the least external components. All functions are programmable using the I²C Bus. PT2311 is housed in 28-pin SOP package. The 28-pin version provides additional Two Band Tone Control and Loudness Function and is pin-to-pin compatible with TDA7313. Pin assignments and application circuits are optimized for easy PCB layout and cost saving advantages.

FEATURES

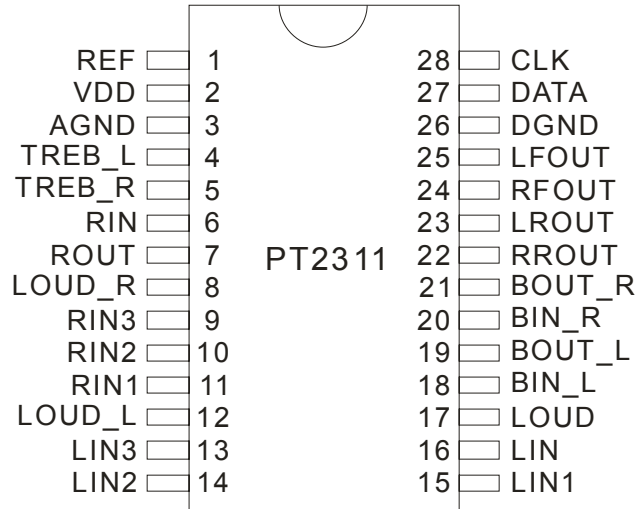
- CMOS technology
- Least external components
- Treble and bass control (available only in the 28-pin version)
- Loudness function (available only in the 28-pin version)
- 3 Stereo inputs with selectable input gain
- Input/output for external noise reduction system/equalizer
- 4 independent speaker controls for fader and balance
- Independent mute function
- Volume control in 1.25dB/step
- Low distortion
- Low noise and DC stepping
- Controlled by I²C bus micro-processor interface

APPLICATIONS

- Car stereo (Audio)
- Hi-Fi audio system
- Purchase of I²C component of Princeton Technology Corporation (PTC) conveys a license under Philips.
*I²C Patent Right to use these components in any I²C System, provided that the system conforms to the I²C Standard Specification defined by Philips.



PIN CONFIGURATIONS

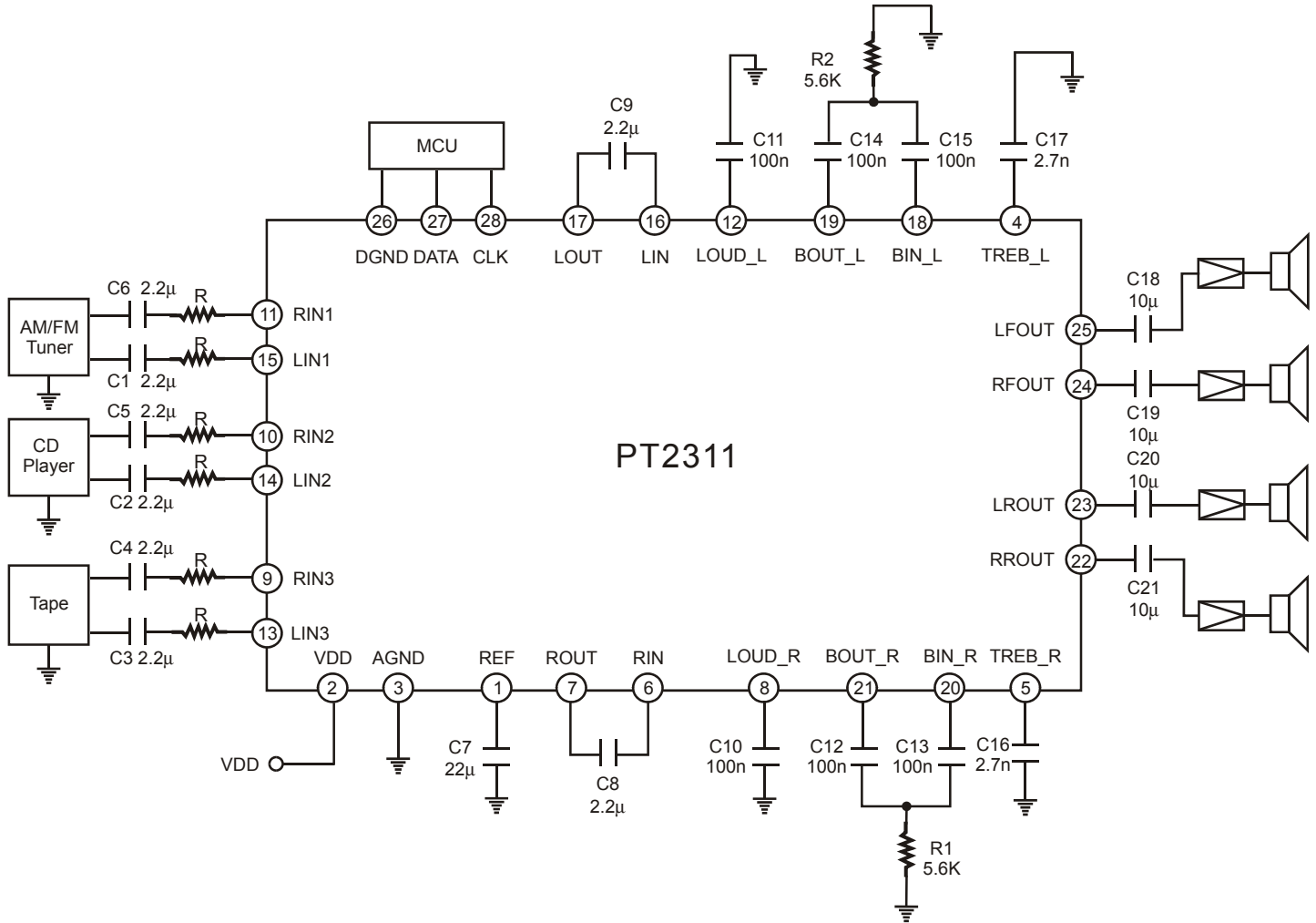




4-Channel Audio Processor

PT2311

APPLICATION CIRCUIT



Note: Resistor (R) Recommended Value=1KΩ



ORDER INFORMATION

Valid Part Number	Package Type	Top Code
PT2311	28 Pins, SOP, 300mil	PT2311
PT2311 (L)	28 Pins, SOP, 300mil	PT2311

Notes:

1. (L), (C) or (S) = Lead Free.
2. The Lead Free mark is put in front of the date code.