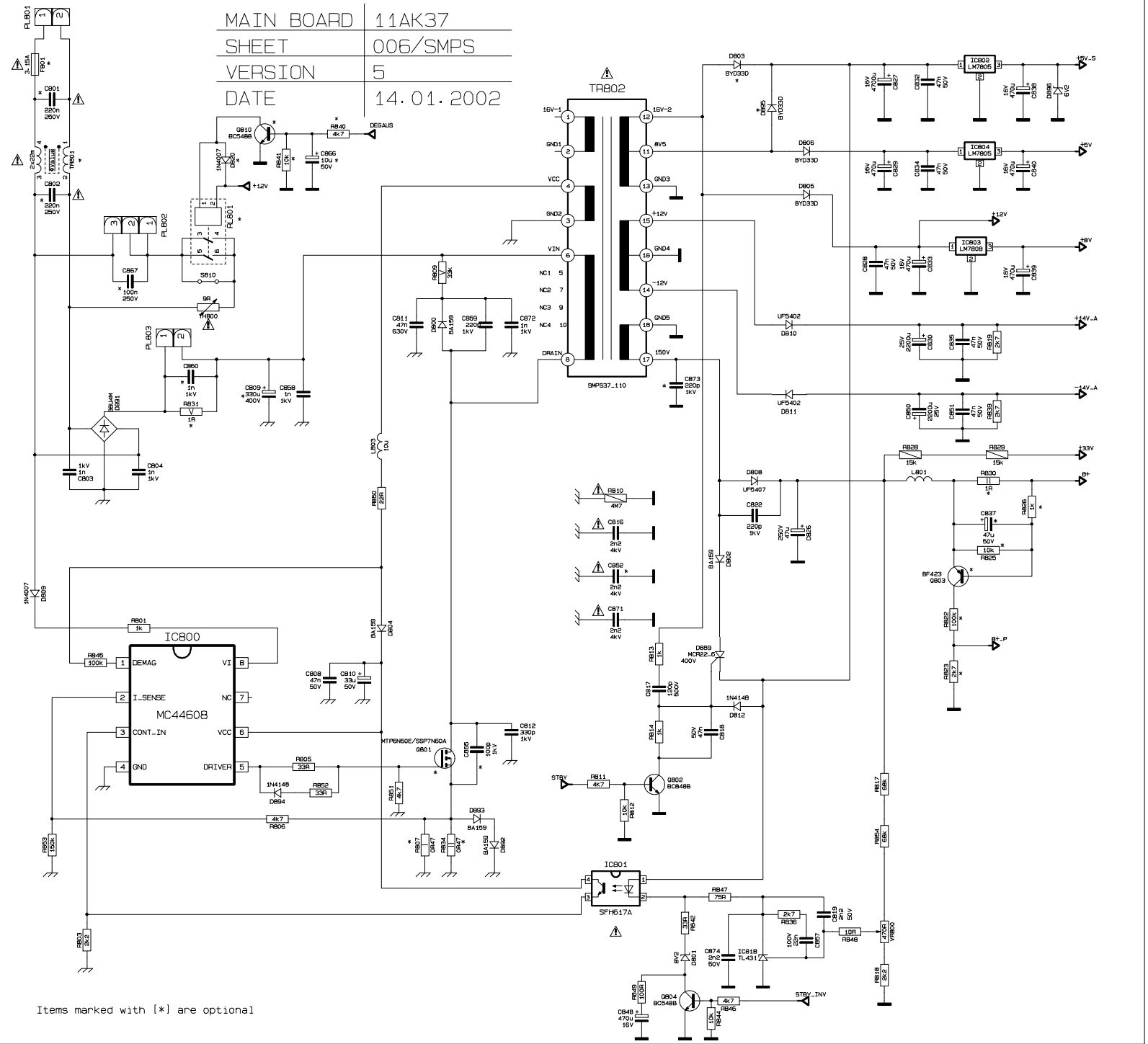


MAIN BOARD	11AK37
SHEET	006/SMPS
VERSION	5
DATE	14.01.2002



Items marked with [*] are optional