

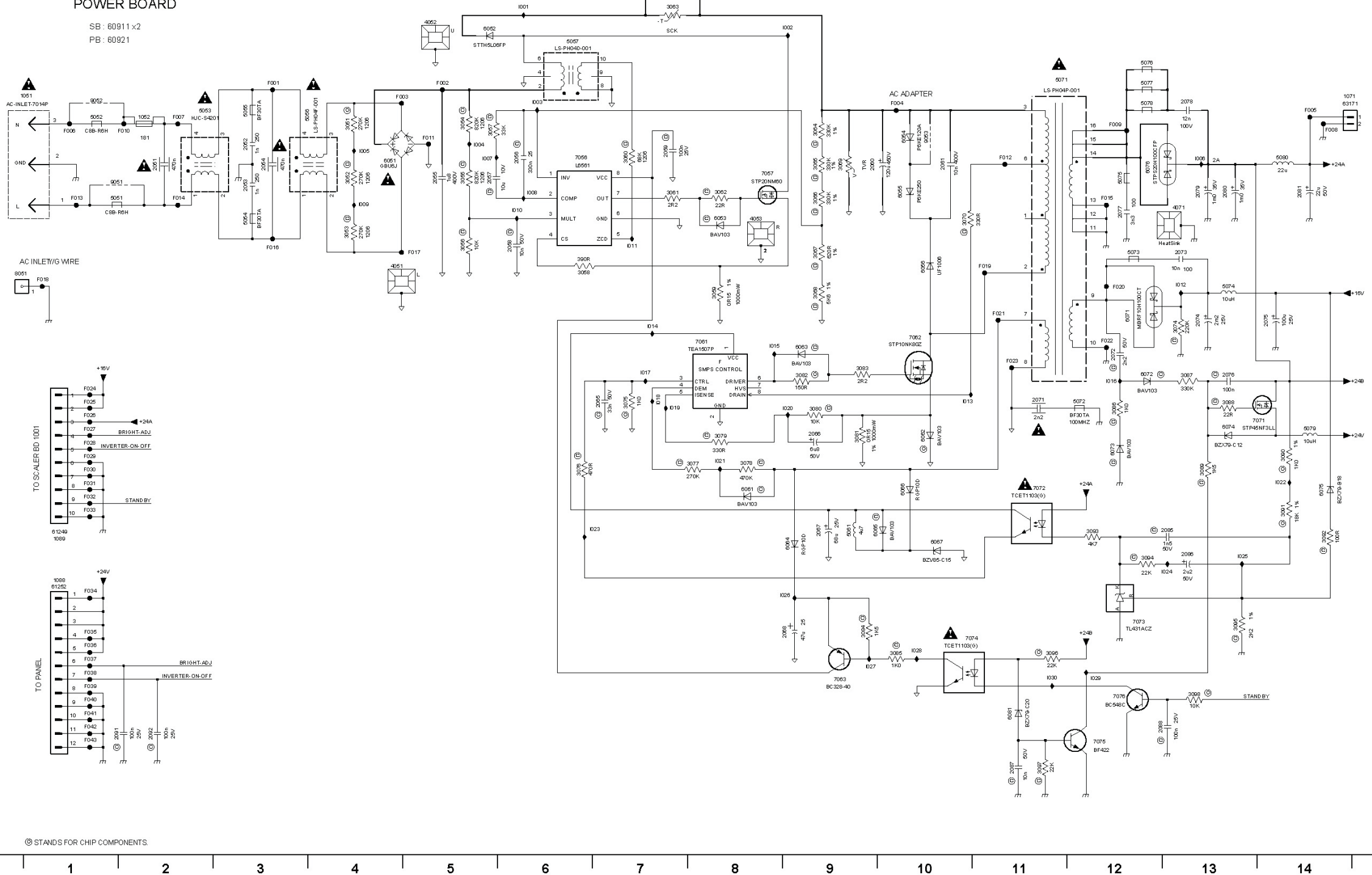


1 2 3 4 5 6 7 8 9 10 11 12 13 14 15 16 17 18 19 20

A B C D E F G H I J K L M N O P

**POWER BOARD**

SB : 60911 x2  
PB : 60921



AC INLET/G WIRE

TO SCALER BD 1001

TO PANEL

© STANDS FOR CHIP COMPONENTS

- |          |          |
|----------|----------|
| 1051 B1  | 6063 D9  |
| 1052 B2  | 6064 F9  |
| 1071 B14 | 6065 F9  |
| 1088 C1  | 6066 F10 |
| 1089 F1  | 6067 F10 |
| 2051 B2  | 6071 D12 |
| 2052 B3  | 6072 E12 |
| 2053 C3  | 6073 E12 |
| 2054 B3  | 6074 E13 |
| 2055 C5  | 6075 F14 |
| 2056 D6  | 6076 C12 |
| 2057 C5  | 6081 H11 |
| 2058 C6  | 7056 B6  |
| 2059 B7  | 7057 C8  |
| 2060 B9  | 7061 D8  |
| 2061 B10 | 7062 D10 |
| 2065 E7  | 7063 H9  |
| 2066 E9  | 7071 E14 |
| 2067 F9  | 7072 F11 |
| 2068 G9  | 7073 G12 |
| 2071 E11 | 7074 G11 |
| 2072 D12 | 7075 H2  |
| 2073 C13 | 7076 H22 |
| 2074 D13 | 8051 D1  |
| 2075 D14 | 9051 C1  |
| 2076 E13 | 9052 B1  |
| 2077 C12 | 9053 B10 |
| 2078 B13 | 9054 A7  |
| 2079 C13 | F001 B3  |
| 2080 C13 | F002 B5  |
| 2081 C14 | F003 B4  |
| 2085 F13 | F004 B10 |
| 2086 G13 | F005 B14 |
| 2087 H11 | F006 B1  |
| 2088 H13 | F007 B2  |
| 2091 H2  | F008 B4  |
| 2092 H2  | F009 B12 |
| 3051 B4  | F010 B2  |
| 3052 C4  | F011 B5  |
| 3053 C4  | F012 B11 |
| 3054 B5  | F013 C1  |
| 3055 C5  | F014 C2  |
| 3056 C5  | F015 C12 |
| 3057 B5  | F016 C3  |
| 3058 D6  | F017 C5  |
| 3059 D8  | F018 D1  |
| 3060 B7  | F019 D11 |
| 3061 C7  | F020 D12 |
| 3062 C8  | F021 D11 |
| 3063 A7  | F022 D12 |
| 3064 B9  | F023 E11 |
| 3065 B9  | F024 E1  |
| 3066 C9  | F025 E1  |
| 3067 C9  | F026 E1  |
| 3068 D9  | F027 E1  |
| 3069 B9  | F028 E1  |
| 3070 C10 | F029 F1  |
| 3074 D13 | F030 F1  |
| 3075 E7  | F031 E1  |
| 3076 F6  | F032 E1  |
| 3077 F8  | F033 F1  |
| 3078 F8  | F034 G1  |
| 3079 E8  | F035 G1  |
| 3080 E9  | F036 H1  |
| 3081 E9  | F037 H1  |
| 3082 E9  | F038 H1  |
| 3083 E9  | F039 H1  |
| 3084 G9  | F040 H1  |
| 3085 H10 | F041 H1  |
| 3086 E12 | F042 H1  |
| 3087 E13 | F043 H1  |
| 3088 E13 | I001 A6  |
| 3089 F13 | I002 A9  |
| 3090 F14 | I003 B6  |
| 3091 F14 | I004 B5  |
| 3092 F14 | I005 B4  |
| 3093 F12 | I006 B13 |
| 3094 G12 | I007 B5  |
| 3095 G13 | I008 C6  |
| 3096 H11 | I009 C4  |
| 3097 H11 | I010 C6  |
| 3098 H13 | I011 C7  |
| 4051 D4  | I012 D13 |
| 4052 A5  | I013 E10 |
| 4053 C8  | I014 D7  |
| 4071 C13 | I015 D8  |
| 5051 C1  | I016 E12 |
| 5052 B1  | I017 E7  |
| 5053 B2  | I018 E7  |
| 5054 C3  | I019 E7  |
| 5055 B3  | I020 E9  |
| 5056 B4  | I021 F8  |
| 5057 A6  | I022 F14 |
| 5061 F9  | I023 F7  |
| 5071 B11 | I024 G13 |
| 5072 E12 | I025 G13 |
| 5073 C12 | I026 G9  |
| 5074 D13 | I027 H9  |
| 5075 C12 | I028 H10 |
| 5076 A12 | I029 H12 |
| 5077 B12 | I030 H11 |
| 5078 B12 |          |
| 5079 E14 |          |
| 5080 B14 |          |
| 6051 B4  |          |
| 6052 A5  |          |
| 6053 C8  |          |
| 6054 B10 |          |
| 6055 C10 |          |
| 6056 D10 |          |
| 6061 F8  |          |
| 6062 E10 |          |

CHN ECO-		SETNAME FL-1	
CLASS_NO		Power Board	1
		26MF605W/17	1
2004-12-13		3138 158 5916	
NAME W.R. Huang,J.Cheng	SUPERS.	1	130 - 1
CHECK	DATE	2004-12-13	© KONINKLIJKE PHILIPS ELECTRONICS N.V. 2004

1 2 3 4 5 6 7 8 9 10 11 12 13 14 15 16 17 18 19 20

A B C D E F G H I J K L M N O P