

CAUTION !

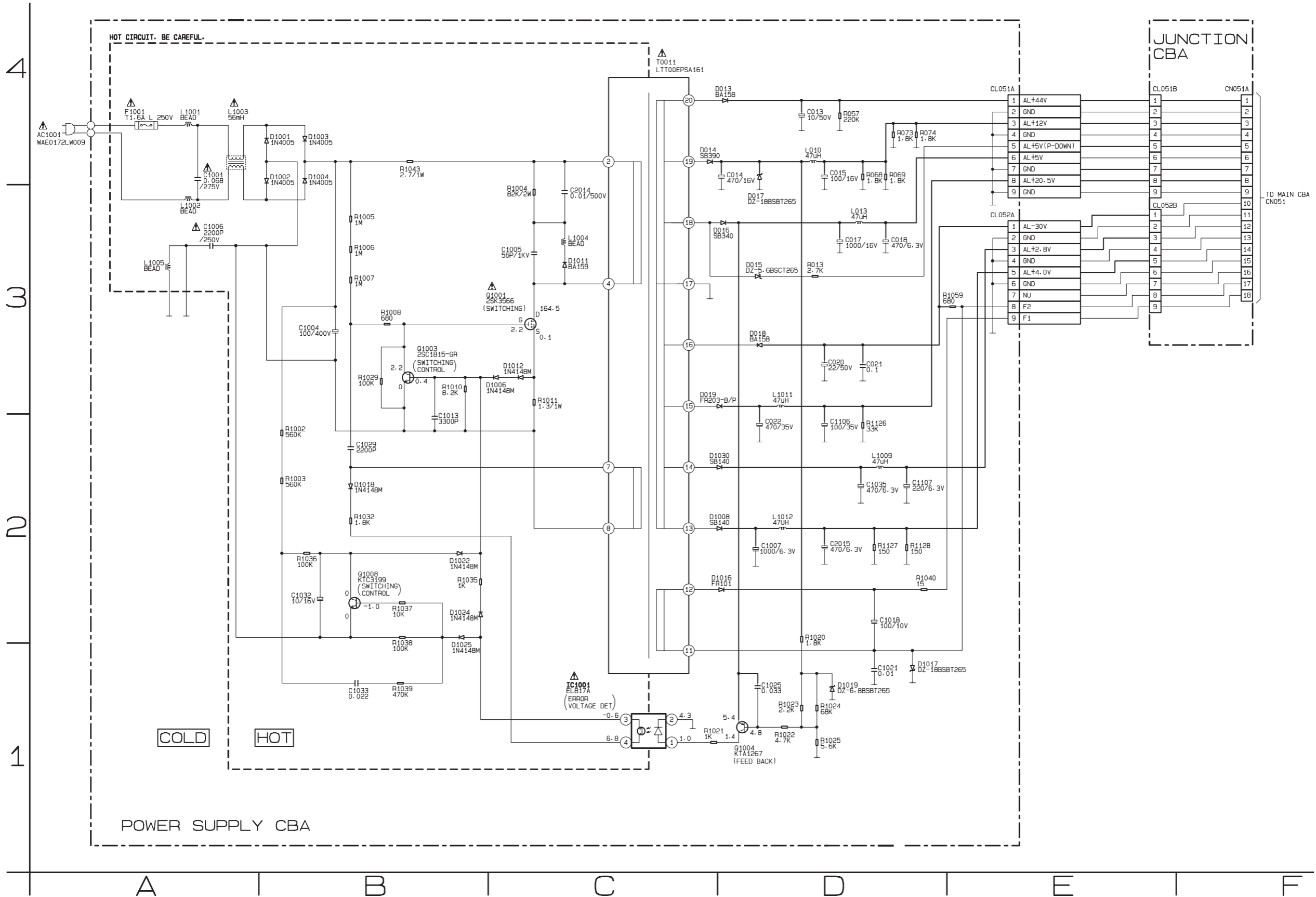
For continued protection against fire hazard, replace only with the same type fuse.

NOTE :

The voltage for parts in hot circuit is measured using hot GND as a common terminal.

CAUTION !

Fixed voltage (or Auto voltage selectable) power supply circuit is used in this unit. If Main Fuse (F1001) is blown, check to see that all components in the power supply circuit are not defective before you connect the AC plug to the AC power supply. Otherwise it may cause some components in the power supply circuit to fail.



POWER SUPPLY CBA

JUNCTION CBA

TO MAIN CBA
CN051

COLD

HOT

HOT CIRCUIT. BE CAREFUL.