

	EURO	NAFTA	NOT USED
3135 037 10671 01		X	
3135 037 10681 01	X		
RESERVED			X

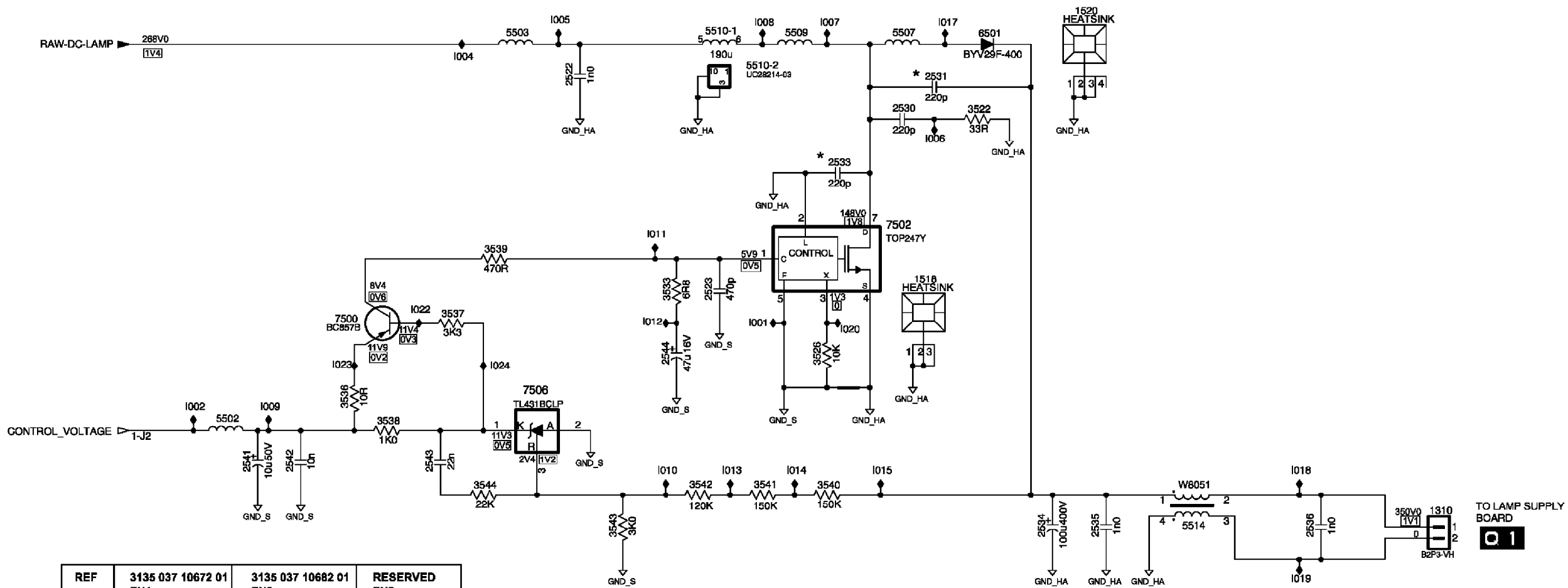
- NOTES
- CAPACITANCE VALUES ARE IN FARADS:
m=MILLI u=MICRO n=NANO p=PICO f=FEMTO
 - RESISTANCE VALUES ARE IN OHMS:
R=OHM K=KILLO M=MEGA G=GIGA T=TERA
 - SAFETY TRIANGLE REPRESENTS PCEC REPLACEMENT PART ONLY.
 - * FOR VALUE SEE TABLE.

REF	3135 037 10671 01 FN1 NAFTA	3135 037 10681 01 FNO EURO	RESERVED FN2
1211	2422 093 00036 5HT	2422 093 00035 5HT	NOT USED
2202	2020 021 91747 1m5	NOT USED	NOT USED
2206	NOT USED	2020 021 91323 470u, 400V	NOT USED
2208	NOT USED	2020 021 91323 470u, 400V	NOT USED
2209	2020 021 91747 1m5	NOT USED	NOT USED
3202	2322 251 41687 OR68	NOT USED	NOT USED
3203	2322 251 41687 OR68	NOT USED	NOT USED
3207	2322 251 41687 OR68	2322 251 41228 2R2	NOT USED
3210	2322 251 41687 OR68	2322 251 41228 2R2	NOT USED
3211	2322 251 41687 OR68	NOT USED	NOT USED
3213	2322 251 41687 OR68	2322 251 41228 2R2	NOT USED
3214	2322 251 41687 OR68	NOT USED	NOT USED
3215	2322 251 41687 OR68	2322 251 41228 2R2	NOT USED
5209	NOT USED	2422 531 02547 UP48205	NOT USED
5218	NOT USED	2422 549 44591 JLB2806	NOT USED
6201	9322 138 08667 GBU6J	9322 132 56667	NOT USED
9201	3198 036 90010	NOT USED	NOT USED
9203	NOT USED	3198 036 90010	NOT USED
9204	3198 036 90010	NOT USED	NOT USED
9206	3198 036 90010	NOT USED	NOT USED
9207	3198 036 90010	NOT USED	NOT USED
9208	3198 036 90010	NOT USED	NOT USED
9209	NOT USED	3198 036 90010	NOT USED

1206 E 7 6403 N 8
1207 F 3 6404 J 7
1208 D 5 6405 J 6
1209 E 6 6406 K 4
1210 C 11 6407 N 10
1211 C 3 6408 N 9
1212 C 2 6409 N 9
1214 E 2 6410 L 5
1215 D 12 6411 H 4
1217 F 2 6413 G 10
1216 N 7 6414 I 10
1311 F 16 6415 B 12
1316 I 15 6416 B 13
1401 I 2 6417 D 12
1402 G 9 6418 L 10
1403 B 16 6419 N 8
1410 H 16 6420 N 8
1460 G 16 6421 N 10
2200 C 11 6422 M 7
2201 B 7 6423 M 9
2202 D 12 6424 B 9
2203 D 11 6425 D 14
2205 C 3 6426 D 13
2206 D 13 6427 D 12
2208 E 13 6428 D 13
2210 D 15 6429 D 6
2211 G 15 6430 E 13
2212 E 8 6431 E 9
2214 E 4 6432 H 5
2215 B 16 6433 H 3
2216 D 15 6434 I 7
2217 F 9 6435 J 7
2219 F 8 6436 K 9
2220 F 2 6437 I 6
2221 E 7 6438 K 6
2222 D 7 6439 K 11
2225 G 14 6440 L 3
2229 B 14 6441 G 10
2421 G 7 6442 H 11
2422 L 3 6443 K 11
2423 L 3 6444 L 3
2424 H 5 6445 G 10
2431 H 5 6446 H 11
2432 H 3 6447 H 10
2433 I 5 6448 O 8
2434 I 7 6449 M 7
2435 J 7 6450 M 7
2436 K 9 6451 C 4
2437 I 6 6452 B 5
2441 K 6 6453 C 7
2442 L 11 6454 B 9
2443 K 11 6455 D 8
2444 L 3 6456 E 4
2453 G 10 6457 F 3
2454 H 11 6458 F 3
2456 H 10 6459 J 11
2457 I 11 6460 J 3
2472 O 8 6461 G 3
2473 M 7 6462 G 3
3202 C 4 6463 J 11
3203 B 5 6464 K 4
3204 C 7 6465 K 11
3207 B 9 6466 K 10
3210 D 8 6467 L 3
3211 D 9 6468 L 11
3212 D 8 6469 K 5
3213 D 8 6470 L 11
3214 D 9 6471 L 11
3215 D 8 6472 L 11
3216 E 4 6473 L 11
3219 F 3 6474 L 8
3245 B 15 6475 G 10
3246 B 14 6476 G 10
3247 B 13 6477 H 10
3248 B 14 6478 M 11
3249 B 12 6479 N 12
3252 G 15 6480 N 9
3253 E 14 6481 N 11
3403 J 3 6482 N 11
3425 G 3 6483 O 8
3426 G 3 6484 O 8
3429 J 11 6485 O 10
3430 K 4 6486 O 9
3431 K 11 6487 L 7
3432 K 10 6488 M 6
3433 L 3 6489 M 7
3438 L 11 6490 M 8
3441 K 5 6491 M 8
3444 L 11 6492 L 9
3445 L 11 6493 M 10
3453 G 10 6494 L 9
3456 H 10 6495 M 10
3460 M 11 6496 C 9
3461 N 12 6497 E 14
3462 N 9 6498 D 15
3463 N 11 6499 D 15
3464 O 8 6500 G 4
3465 O 10 6501 G 4
3466 O 9 6502 F 15
3470 L 7 6503 C 6
3471 M 6 6504 C 6
3472 M 7 6505 G 2
3473 M 8 6506 G 6
3474 M 8 6507 G 6
3475 L 9 6508 H 4
3476 M 10 6509 H 4
5110 H 7 6510 H 4
5111 J 2 6511 H 7
5112 I 5 6512 H 8
5117 H 8 6513 H 8
5119 H 8 6514 H 12
5420 H 12 6515 G 12
5422 G 12 6516 G 12
6200 B 11 6517 B 11
6201 C 12 6518 B 11
6202 E 9 6519 E 9
6402 K 4 6520 K 4

W2

INPUT POWER PANEL (2 OF 2)

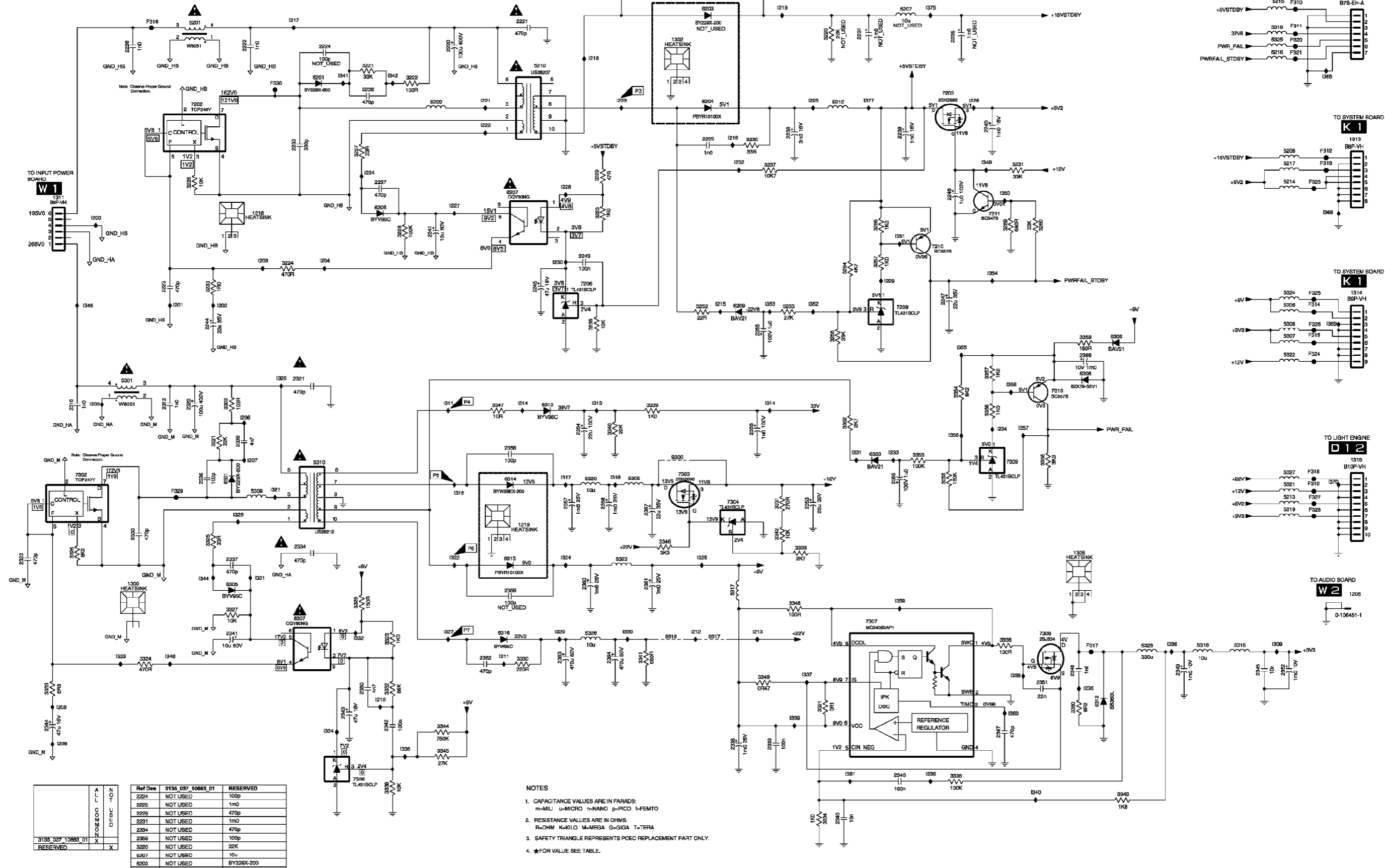


REF	3135 037 10672 01 FN1 NAFTA	3135 037 10682 01 FN0 EURO	RESERVED FN2
2531	NOT USED	NOT USED	3198 019 62210 220p
2533	NOT USED	NOT USED	3198 019 62210 220p

TO LAMP SUPPLY BOARD
01

1310	F 13
1518	D 9
1520	B 10
2522	B 6
2523	D 7
2530	C 9
2531	B 9
2533	C 8
2534	F 10
2535	F 10
2536	F 12
2541	F 3
2542	F 4
2543	F 5
2544	E 7
3522	C 9
3526	E 8
3533	D 7
3536	E 4
3537	D 5
3538	E 4
3539	D 5
3540	F 8
3541	F 7
3542	F 7
3543	F 6
3544	F 5
5502	E 3
5503	B 5
5507	B 9
5509	B 8
5510-1	B 7
5514	F 11
6501	B 9
7500	E 4
7502	D 8
7506	E 6

U1 LCOS MAIN POWER BOARD



Ref Des	3135_037_10683_01	RESERVED
2224	NOT USED	100p
2225	NOT USED	1m
2229	NOT USED	470p
2231	NOT USED	1m
2334	NOT USED	470p
2369	NOT USED	100p
3220	NOT USED	22K
6207	NOT USED	10u
6203	NOT USED	BY229X-20D
9300	NOT USED	315802980010

- NOTES**
- CAPACITANCE VALUES ARE IN FARADS:
 m-MILI u-MICRO n-NANO p-PICO f-FEMTO
 - RESISTANCE VALUES ARE IN OHMS
 R-OHM K-KILO M-MEGA G-GIGA T-TERA
 - SAFETY TRIANGLE REPRESENTS PCEC REPLACEMENT PART ONLY.
 - *FOR VALUE SEE TABLE.

