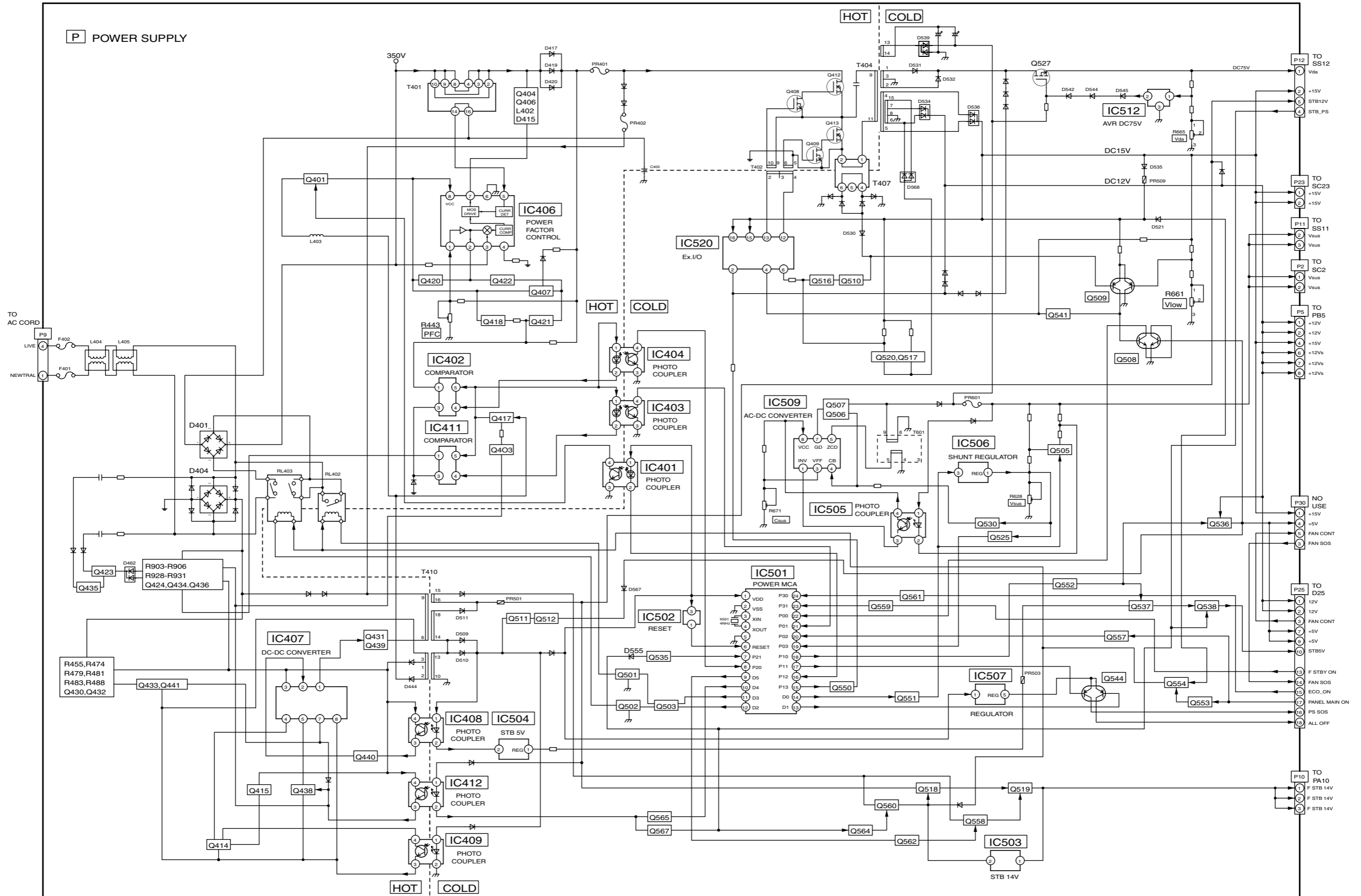


# P-Board Block Diagram

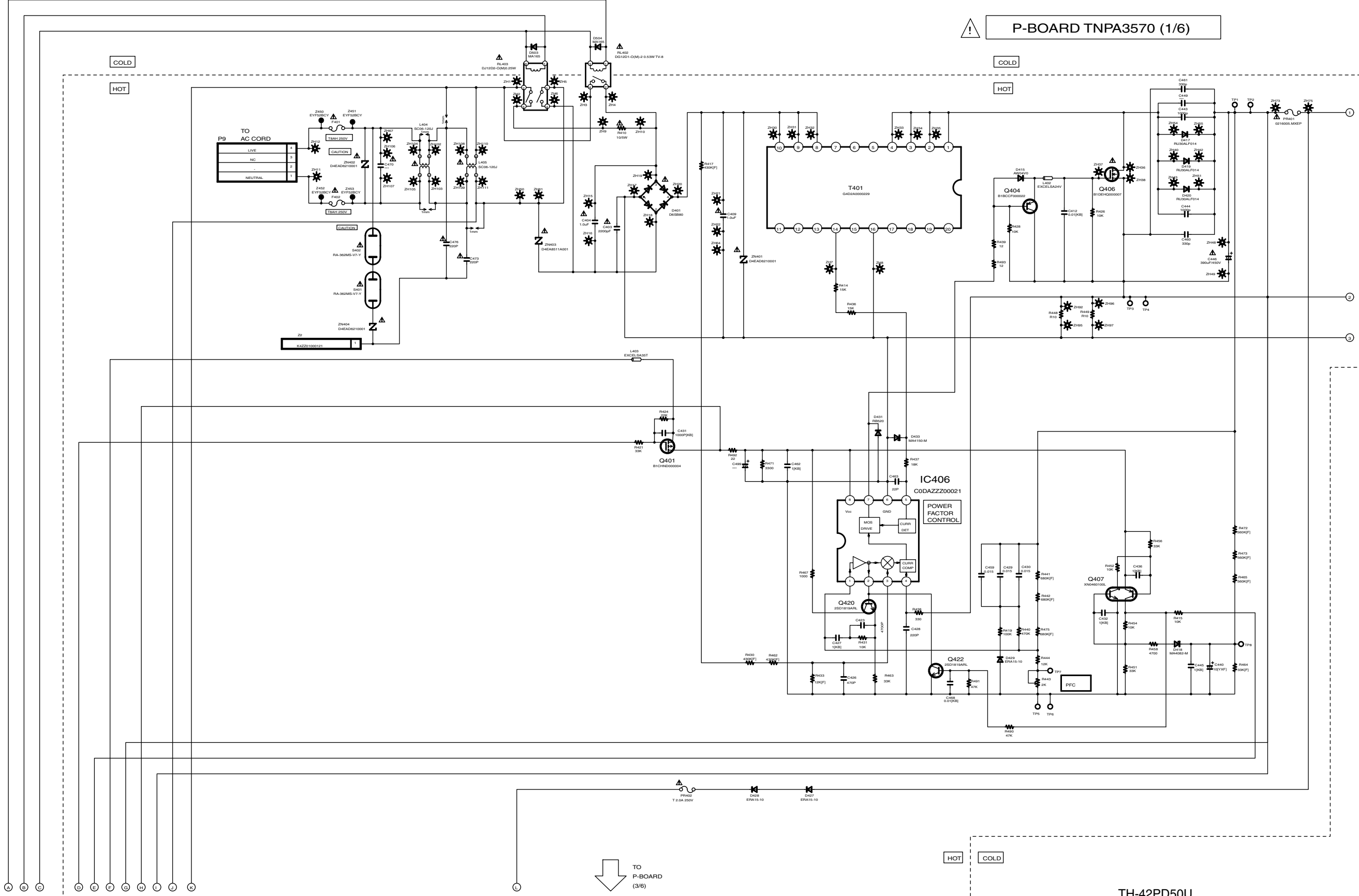


TH-42PD50U  
P-Board Block Diagram

TH-42PD50U  
P-Board Block Diagram

# P-Board (1 of 6) Schematic Diagram

A  
B  
C  
D  
E  
F



TH-42PD50U P-Board (1 of 6) Schematic Diagram

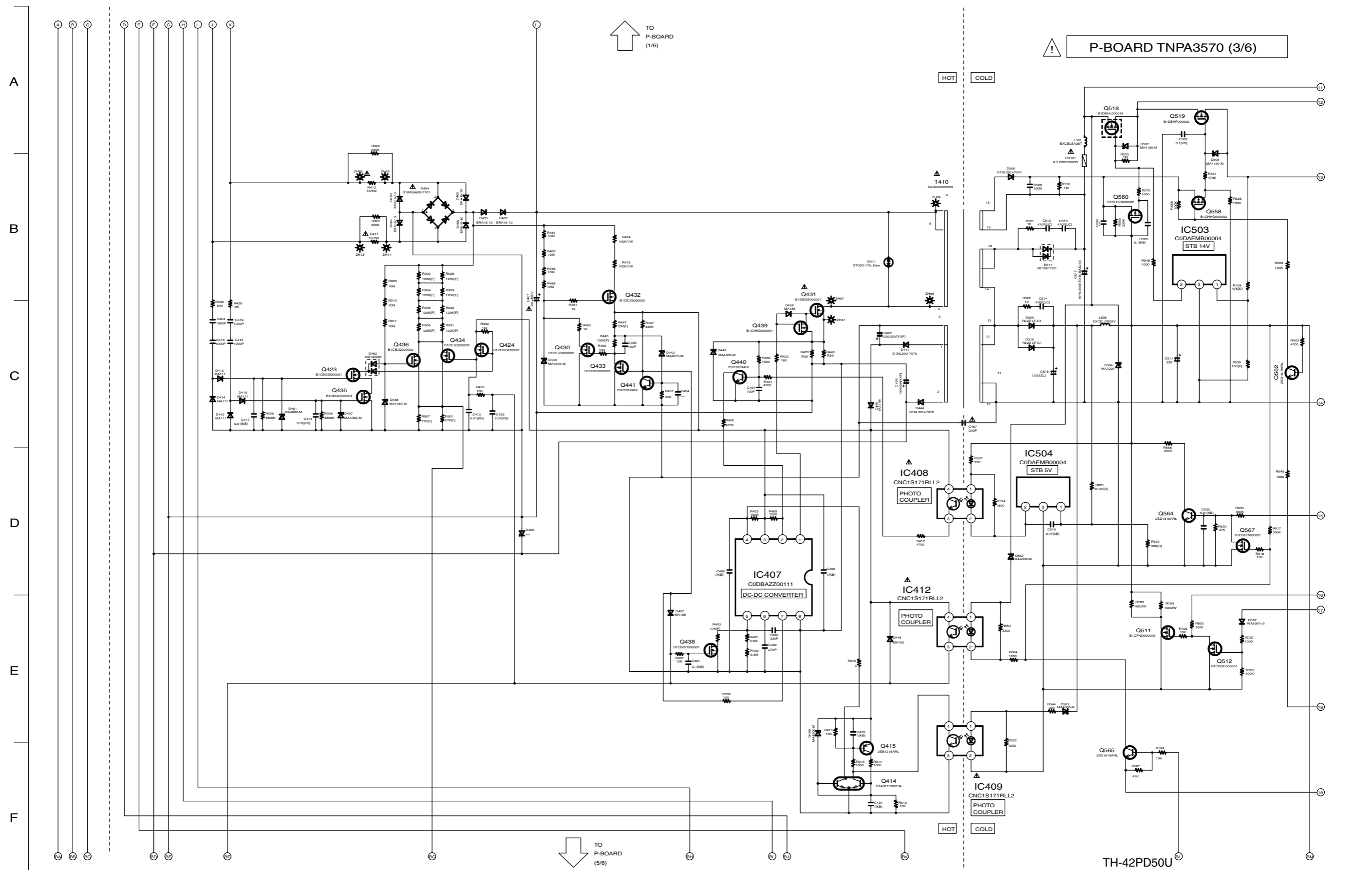
TH-42PD50U P-Board (1 of 6) Schematic Diagram

TO P-BOARD (3/6)

1 2 3 4 5 6 7 8 9



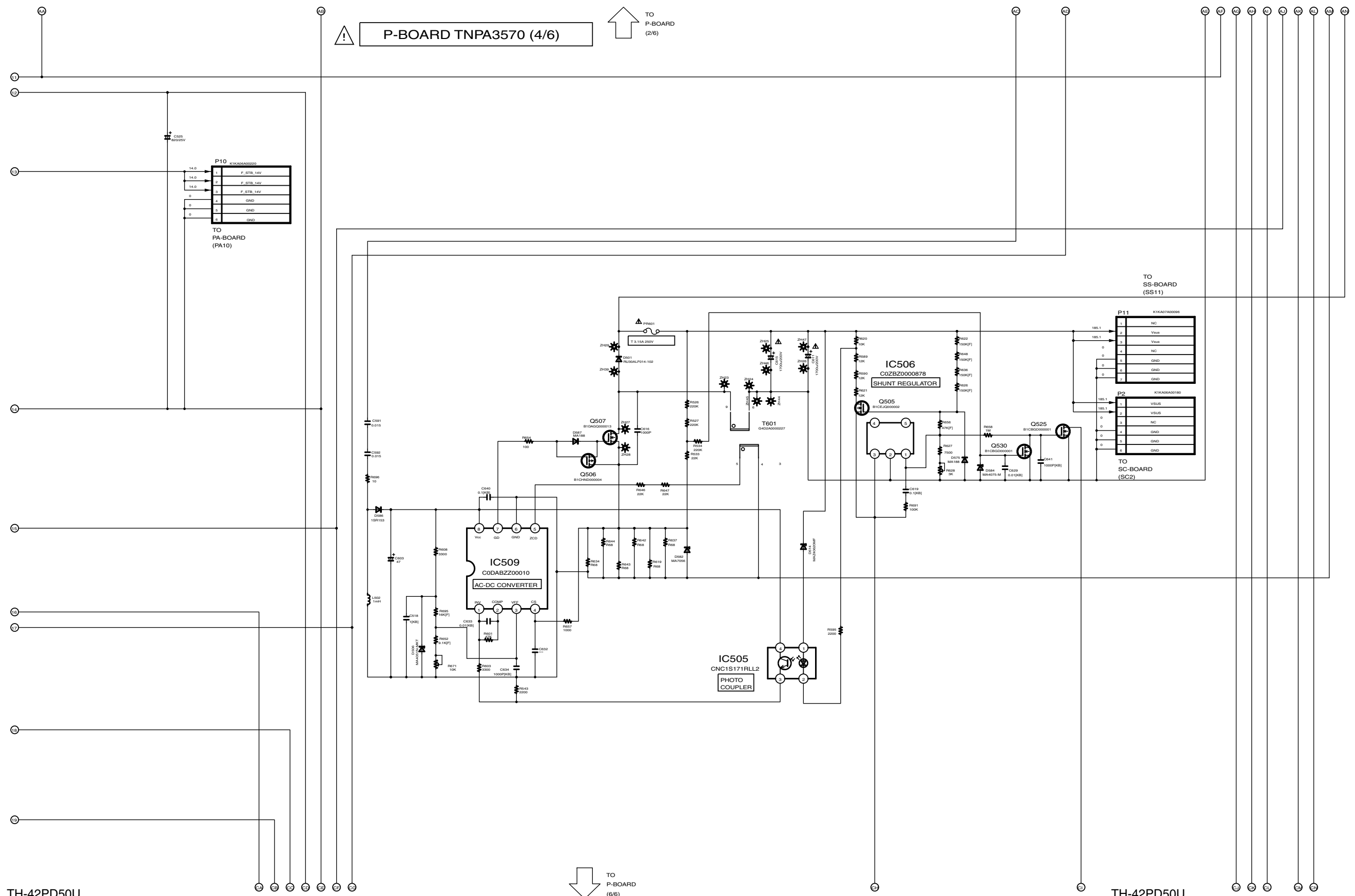
# P-Board (3 of 6) Schematic Diagram



TH-42PD50U P-Board (3 of 6) Schematic Diagram

TH-42PD50U P-Board (3 of 6) Schematic Diagram

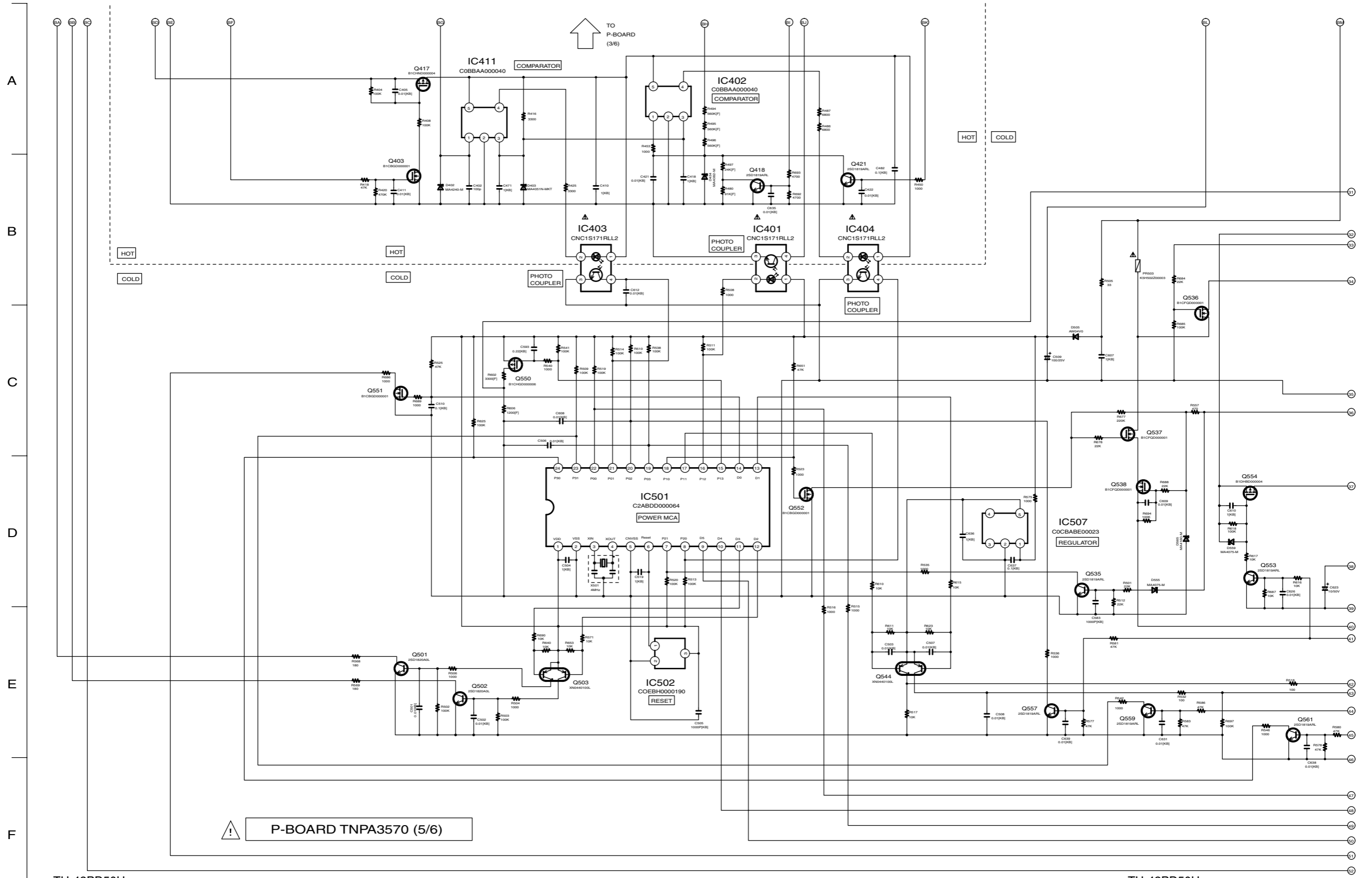
# P-Board (4 of 6) Schematic Diagram



TH-42PD50U  
P-Board (4 of 6) Schematic Diagram

TH-42PD50U  
P-Board (4 of 6) Schematic Diagram

### P-Board (5 of 6) Schematic Diagram



TH-42PD50U  
P-Board (5 of 6) Schematic Diagram

TH-42PD50U  
P-Board (5 of 6) Schematic Diagram

1

2

3

4

5

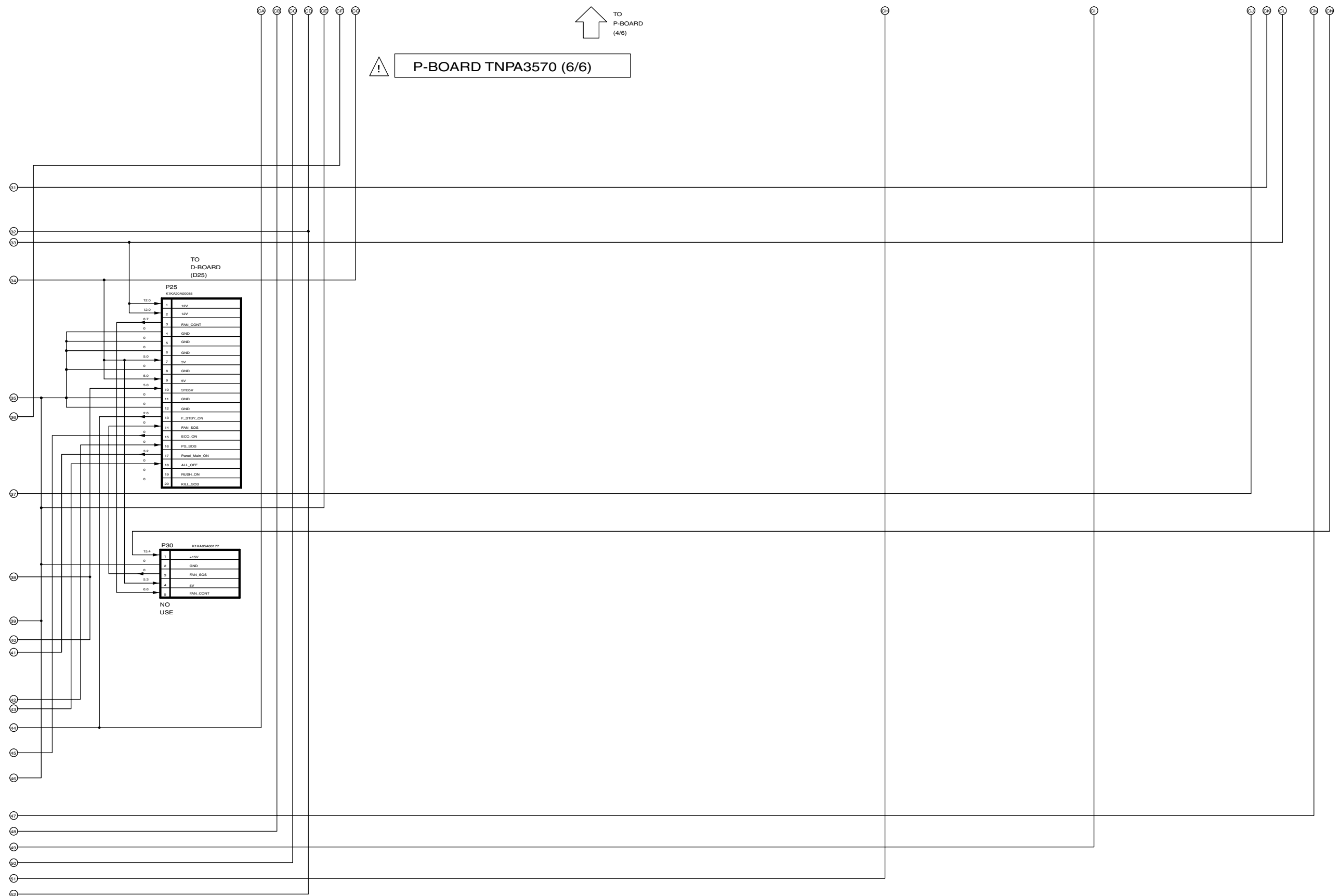
6

7

8

9

# P-Board (6 of 6) Schematic Diagram



TH-42PD50U  
P-Board (6 of 6) Schematic Diagram

TH-42PD50U  
P-Board (6 of 6) Schematic Diagram