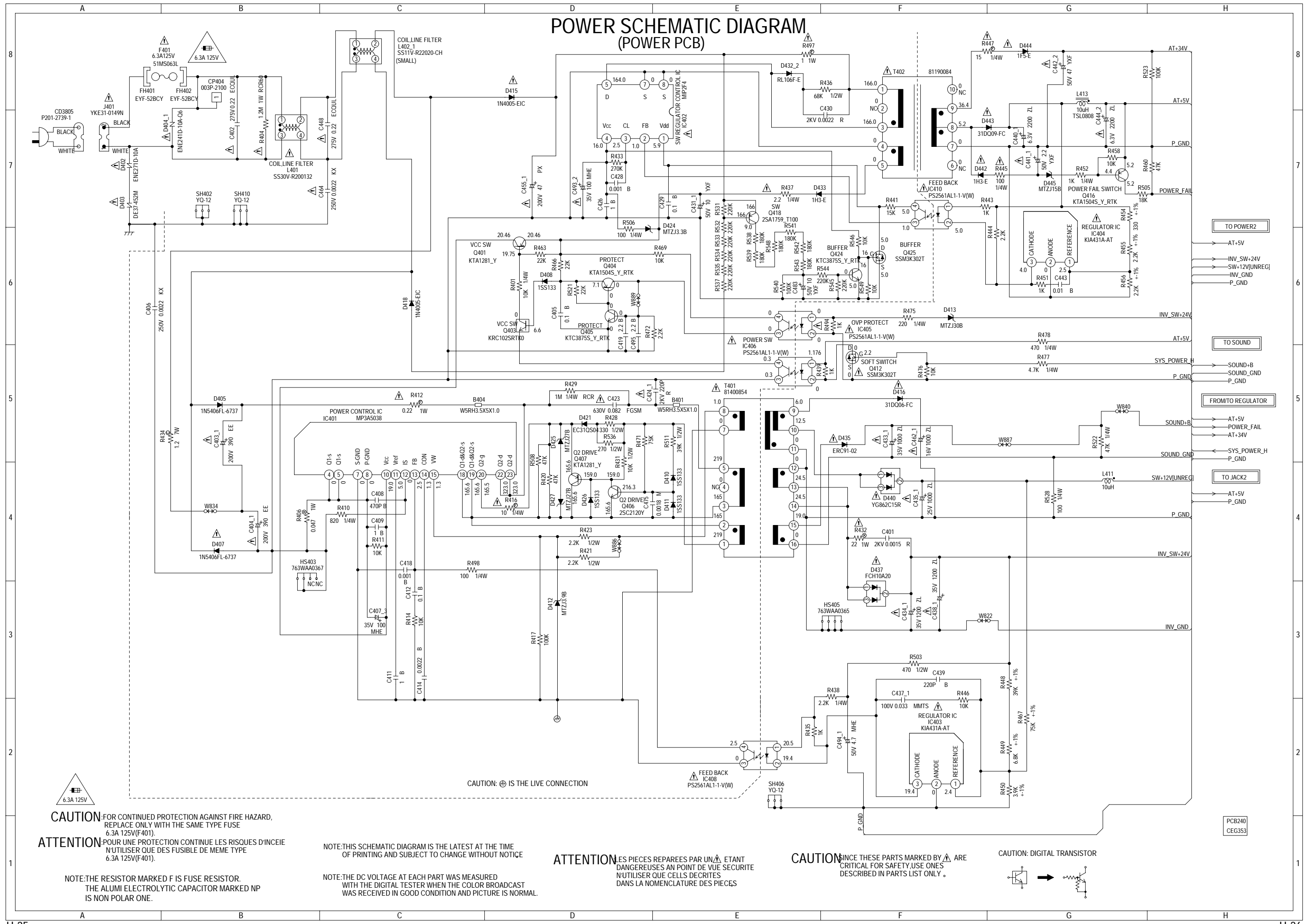


POWER SCHEMATIC DIAGRAM (POWER PCB)



CAUTION: FOR CONTINUED PROTECTION AGAINST FIRE HAZARD, REPLACE ONLY WITH THE SAME TYPE FUSE 6.3A 125V(F401).

ATTENTION: POUR UNE PROTECTION CONTINUE LES RISQUES D'INCENDIE N'UTILISER QUE DES FUSIBLES DE MEME TYPE 6.3A 125V(F401).

NOTE: THE RESISTOR MARKED F IS FUSE RESISTOR. THE ALUMI ELECTROLYTIC CAPACITOR MARKED NP IS NON POLAR ONE.

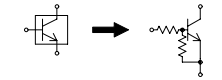
NOTE: THIS SCHEMATIC DIAGRAM IS THE LATEST AT THE TIME OF PRINTING AND SUBJECT TO CHANGE WITHOUT NOTICE

NOTE: THE DC VOLTAGE AT EACH PART WAS MEASURED WITH THE DIGITAL TESTER WHEN THE COLOR BROADCAST WAS RECEIVED IN GOOD CONDITION AND PICTURE IS NORMAL.

ATTENTION: LES PIECES REPARÉES PAR UN ÉTANT DANGEREUSES AN POINT DE VUE SECURITE N'UTILISER QUE CELLS DECRITES DANS LA NOMENCLATURE DES PIECES

CAUTION: SINCE THESE PARTS MARKED BY ARE CRITICAL FOR SAFETY, USE ONES DESCRIBED IN PARTS LIST ONLY.

CAUTION: DIGITAL TRANSISTOR

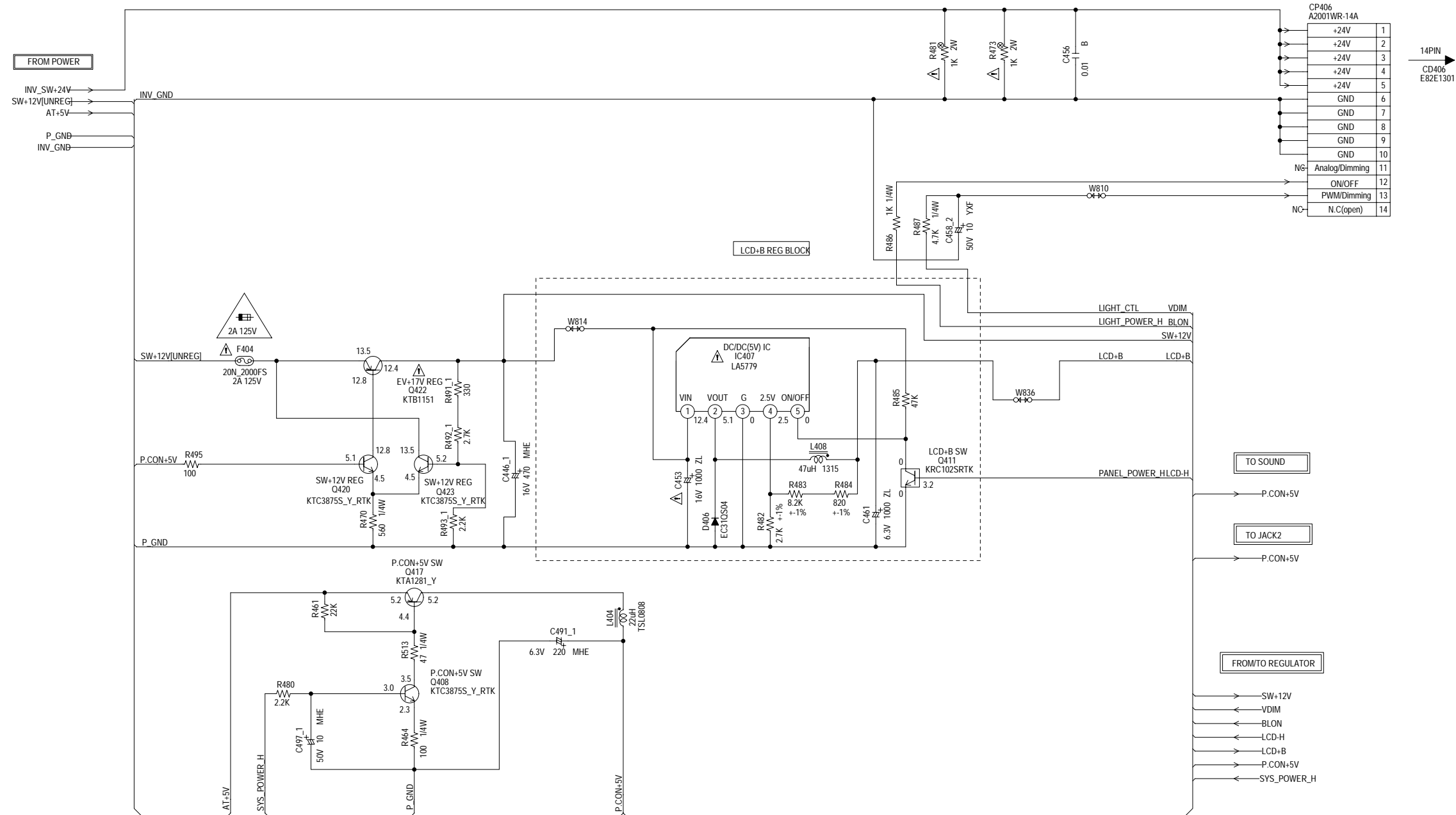


CAUTION: IS THE LIVE CONNECTION

FEED BACK IC408 PS2561AL1-1-V(W)

PCB240
CEG533

POWER2 SCHEMATIC DIAGRAM (POWER PCB)



CAUTION: FOR CONTINUED PROTECTION AGAINST FIRE HAZARD, REPLACE ONLY WITH THE SAME TYPE FUSE 2A 125V(F404).

ATTENTION: POUR UNE PROTECTION CONTINUE LES RISQUES D'INCENDIE N'UTILISER QUE DES FUSIBLE DE MEME TYPE 2A 125V(F404).

CAUTION: F404 IS MANUFACTURED BY SKYGATE CO.,LTD., TYPE 20N.

NOTE: THIS SCHEMATIC DIAGRAM IS THE LATEST AT THE TIME OF PRINTING AND SUBJECT TO CHANGE WITHOUT NOTICE

NOTE: THE DC VOLTAGE AT EACH PART WAS MEASURED WITH THE DIGITAL TESTER WHEN THE COLOR BROADCAST WAS RECEIVED IN GOOD CONDITION AND PICTURE IS NORMAL.

CAUTION: SINCE THESE PARTS MARKED BY ARE CRITICAL FOR SAFETY, USE ONES DESCRIBED IN PARTS LIST ONLY.

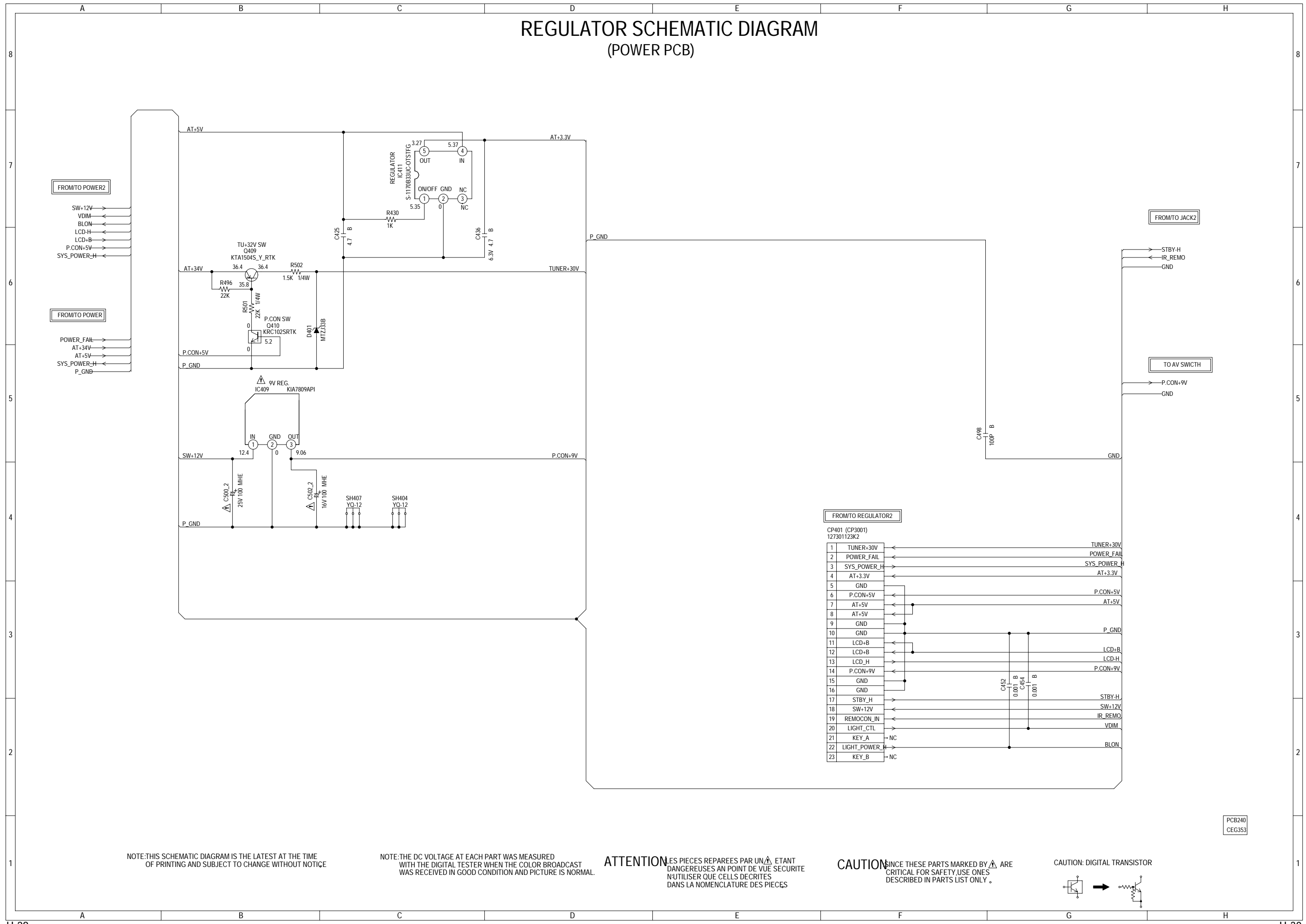
ATTENTION: LES PIECES REPARÉES PAR UN ETANT DANGEREUSES AN POINT DE VUE SECURITE N'UTILISER QUE CELLS DECRITES DANS LA NOMENCLATURE DES PIECES

CAUTION: DIGITAL TRANSISTOR



PCB240
CEG353

REGULATOR SCHEMATIC DIAGRAM (POWER PCB)



FROM TO REGULATOR2

CP401 (CP3001)
127301123K2

1	TUNER+30V	TUNER+30V
2	POWER_FAIL	POWER_FAIL
3	SYS_POWER_H	SYS_POWER_H
4	AT+3.3V	AT+3.3V
5	GND	
6	P.CON+5V	P.CON+5V
7	AT+5V	AT+5V
8	AT+5V	
9	GND	
10	GND	P_GND
11	LCD+B	LCD+B
12	LCD+B	LCD-H
13	LCD_H	
14	P.CON+9V	P.CON+9V
15	GND	
16	GND	
17	STBY_H	STBY_H
18	SW+12V	SW+12V
19	REMOCON_IN	IR_REMO
20	LIGHT_CTL	VDIM
21	KEY_A	
22	LIGHT_POWER	BLON
23	KEY_B	

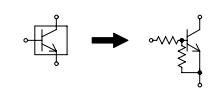
NOTE: THIS SCHEMATIC DIAGRAM IS THE LATEST AT THE TIME OF PRINTING AND SUBJECT TO CHANGE WITHOUT NOTICE

NOTE: THE DC VOLTAGE AT EACH PART WAS MEASURED WITH THE DIGITAL TESTER WHEN THE COLOR BROADCAST WAS RECEIVED IN GOOD CONDITION AND PICTURE IS NORMAL.

ATTENTION LES PIÈCES RÉPARÉES PAR UN ÉTANT DANGEREUSES AN POINT DE VUE SECURITE N'UTILISER QUE CELLES DECRITES DANS LA NOMENCLATURE DES PIÈCES

CAUTION SINCE THESE PARTS MARKED BY ARE CRITICAL FOR SAFETY, USE ONES DESCRIBED IN PARTS LIST ONLY.

CAUTION: DIGITAL TRANSISTOR



PCB240
CEG353