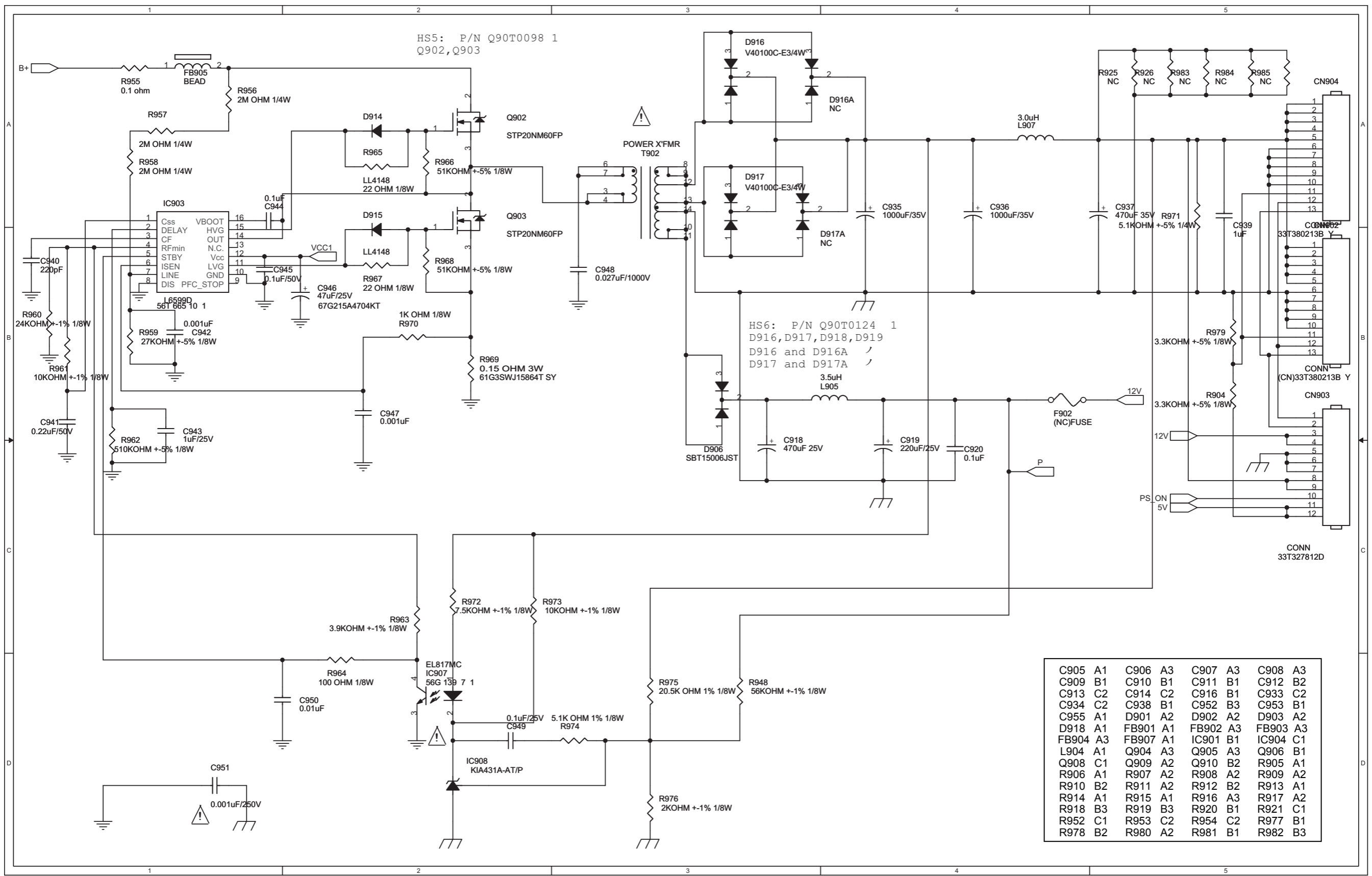


HS1: P/NQ90T0124 1  
BD901

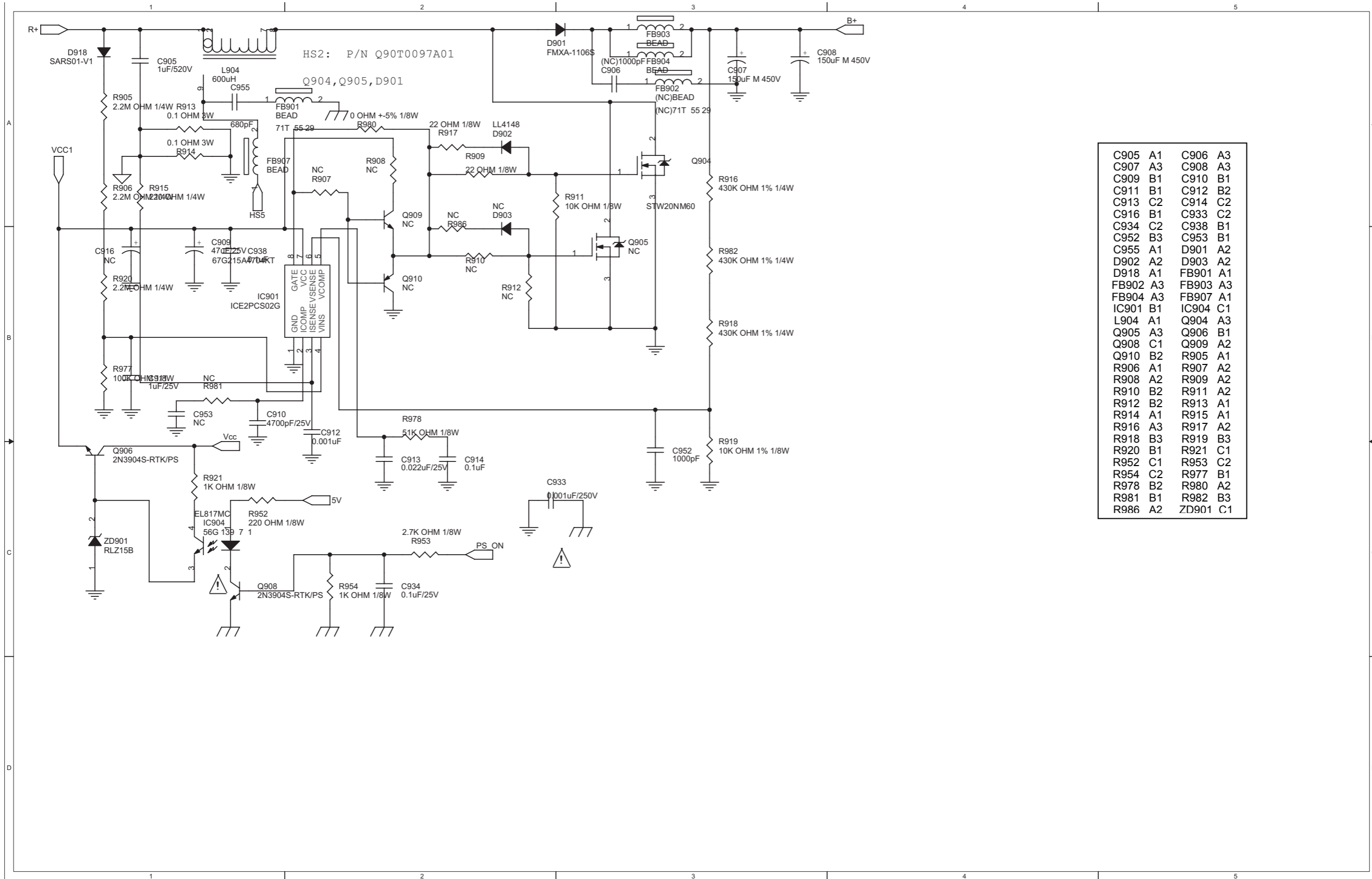
BD901	B5	CN901	B1
C901	B2	C902	B3
C903	B3	C904	B4
C957	B1	C958	B1
C960	B4	C961	B4
F901	C1	F903	A1
L901	B2	L902	B3
L903	B4	NR901	C1
RV901	B1	R901	A3
R902	B3	R903	B3

HS5: P/N Q90T0098 1  
Q902, Q903

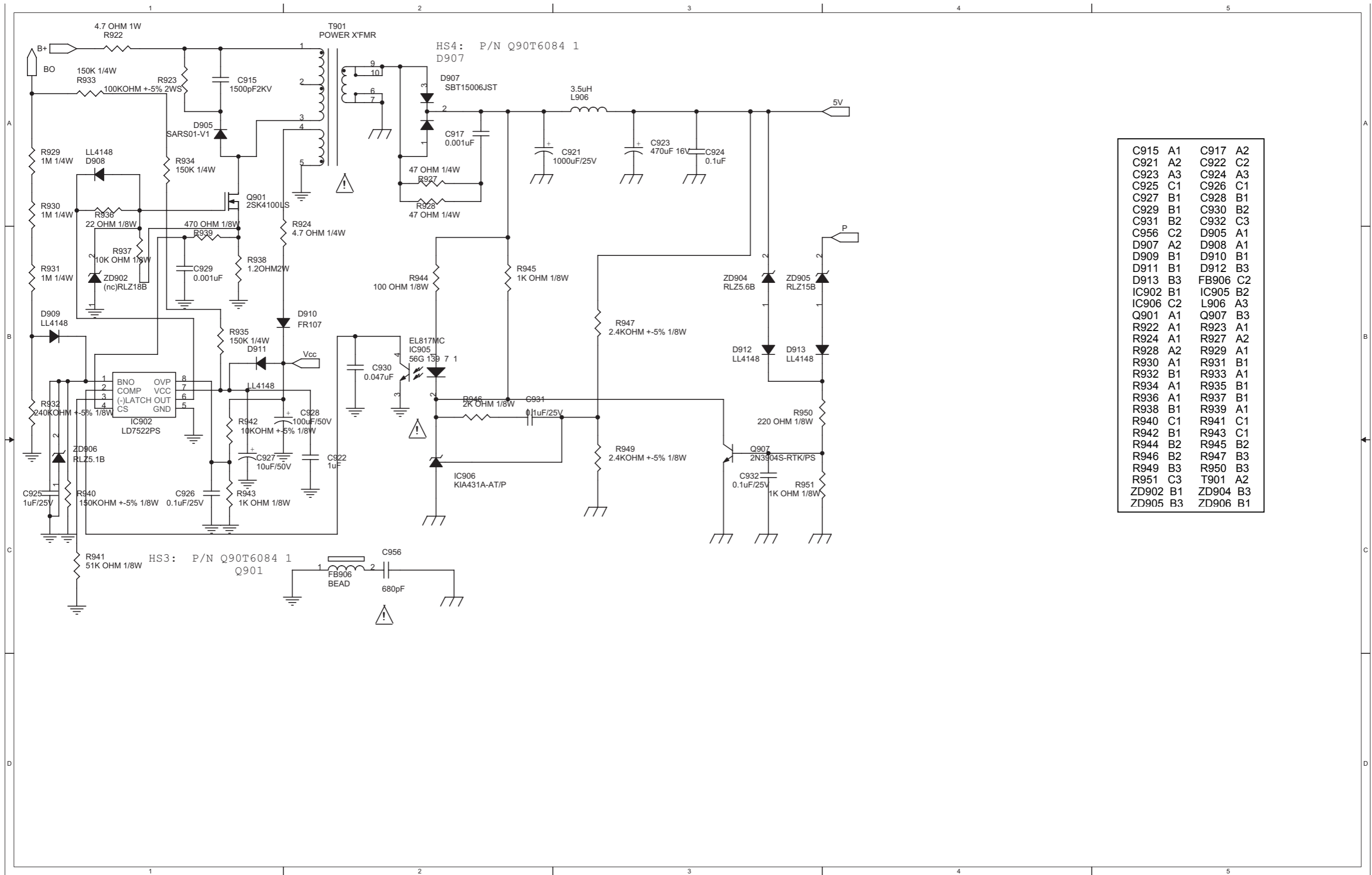
HS6: P/N Q90T0124 1  
D916, D917, D918, D919  
D916 and D916A /  
D917 and D917A /



C905	A1	C906	A3	C907	A3	C908	A3
C909	B1	C910	B1	C911	B1	C912	B2
C913	C2	C914	C2	C916	B1	C933	C2
C934	C2	C938	B1	C952	B3	C953	B1
C955	A1	D901	A2	D902	A2	D903	A2
D918	A1	FB901	A1	FB902	A3	FB903	A3
FB904	A3	FB907	A1	IC901	B1	IC904	C1
L904	A1	Q904	A3	Q905	A3	Q906	B1
Q908	C1	Q909	A2	Q910	B2	R905	A1
R906	A1	R907	A2	R908	A2	R909	A2
R910	B2	R911	A2	R912	B2	R913	A1
R914	A1	R915	A1	R916	A3	R917	A2
R918	B3	R919	B3	R920	B1	R921	C1
R952	C1	R953	C2	R954	C2	R977	B1
R978	B2	R980	A2	R981	B1	R982	B3



C905	A1	C906	A3
C907	A3	C908	A3
C909	B1	C910	B1
C911	B1	C912	B2
C913	C2	C914	C2
C916	B1	C933	C2
C934	C2	C938	B1
C952	B3	C953	B1
C955	A1	D901	A2
D902	A2	D903	A2
D918	A1	FB901	A1
FB902	A3	FB903	A3
FB904	A3	FB907	A1
IC901	B1	IC904	C1
L904	A1	Q904	A3
Q905	A3	Q906	B1
Q908	C1	Q909	A2
Q910	B2	R905	A1
R906	A1	R907	A2
R908	A2	R909	A2
R910	B2	R911	A2
R912	B2	R913	A1
R914	A1	R915	A1
R916	A3	R917	A2
R918	B3	R919	B3
R920	B1	R921	C1
R952	C1	R953	C2
R954	C2	R977	B1
R978	B2	R980	A2
R981	B1	R982	B3
R986	A2	ZD901	C1



C915	A1	C917	A2
C921	A2	C922	C2
C923	A3	C924	A3
C925	C1	C926	C1
C927	B1	C928	B1
C929	B1	C930	B2
C931	B2	C932	C3
C956	C2	D905	A1
D907	A2	D908	A1
D909	B1	D910	B1
D911	B1	D912	B3
D913	B3	FB906	C2
IC902	B1	IC905	B2
IC906	C2	L906	A3
Q901	A1	Q907	B3
R922	A1	R923	A1
R924	A1	R927	A2
R928	A2	R929	A1
R930	A1	R931	B1
R932	B1	R933	A1
R934	A1	R935	B1
R936	A1	R937	B1
R938	B1	R939	A1
R940	C1	R941	C1
R942	B1	R943	C1
R944	B2	R945	B2
R946	B2	R947	B3
R949	B3	R950	B3
R951	C3	T901	A2
ZD902	B1	ZD904	B3
ZD905	B3	ZD906	B1