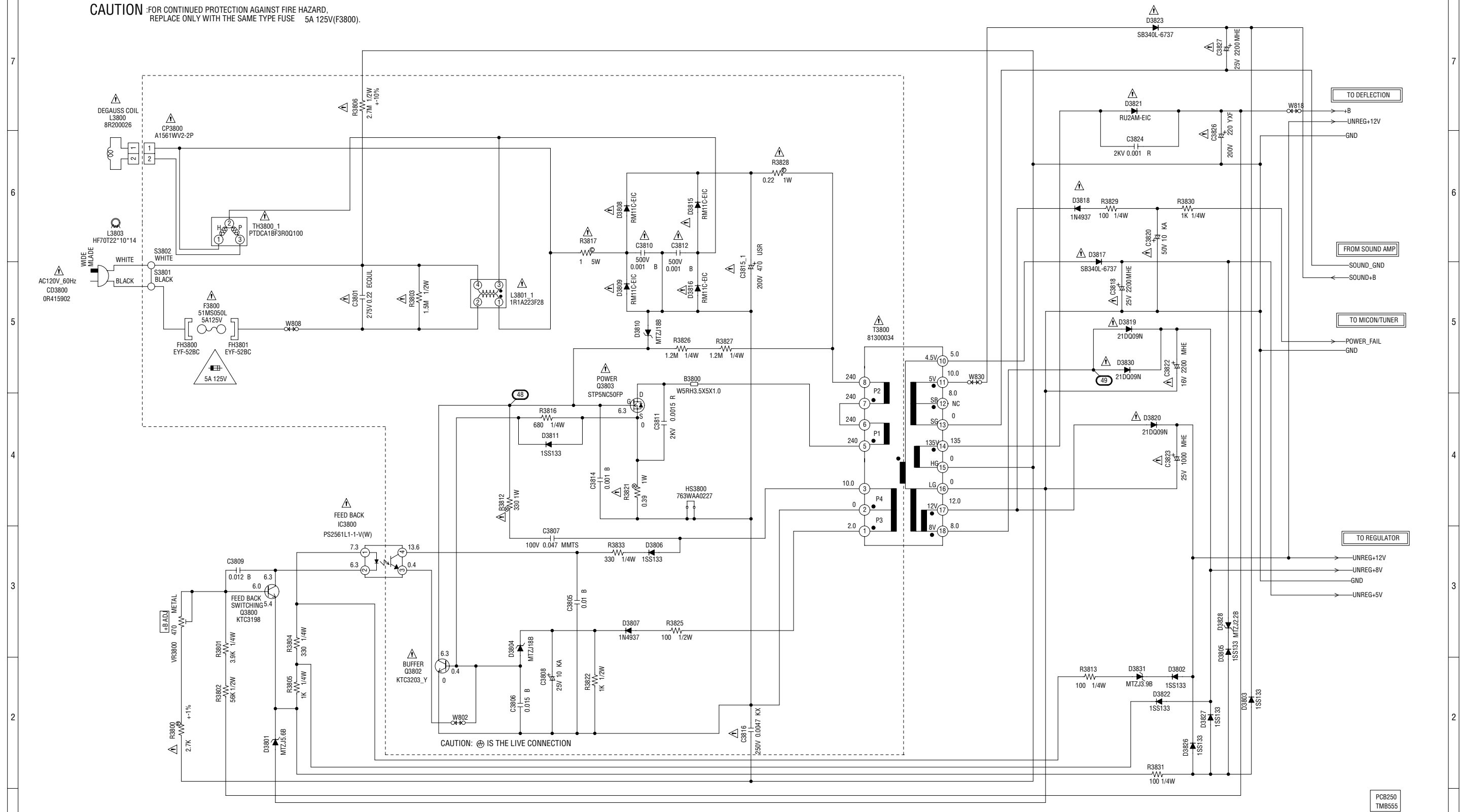


POWER SCHEMATIC DIAGRAM (POWER PCB)



ATTENTION :POUR UNE PROTECTION CONTINUE LES RISQUES D'INCEIE
N'UTOLISER QUE DES FUSIBLE DE MEME TYPE 5A 125V(F3800).

CAUTION :FOR CONTINUED PROTECTION AGAINST FIRE HAZARD,
REPLACE ONLY WITH THE SAME TYPE FUSE 5A 125V(F3800).



NOTE: THIS SCHEMATIC DIAGRAM IS THE LATEST AT THE TIME OF PRINTING AND SUBJECT TO CHANGE WITHOUT NOTICE.

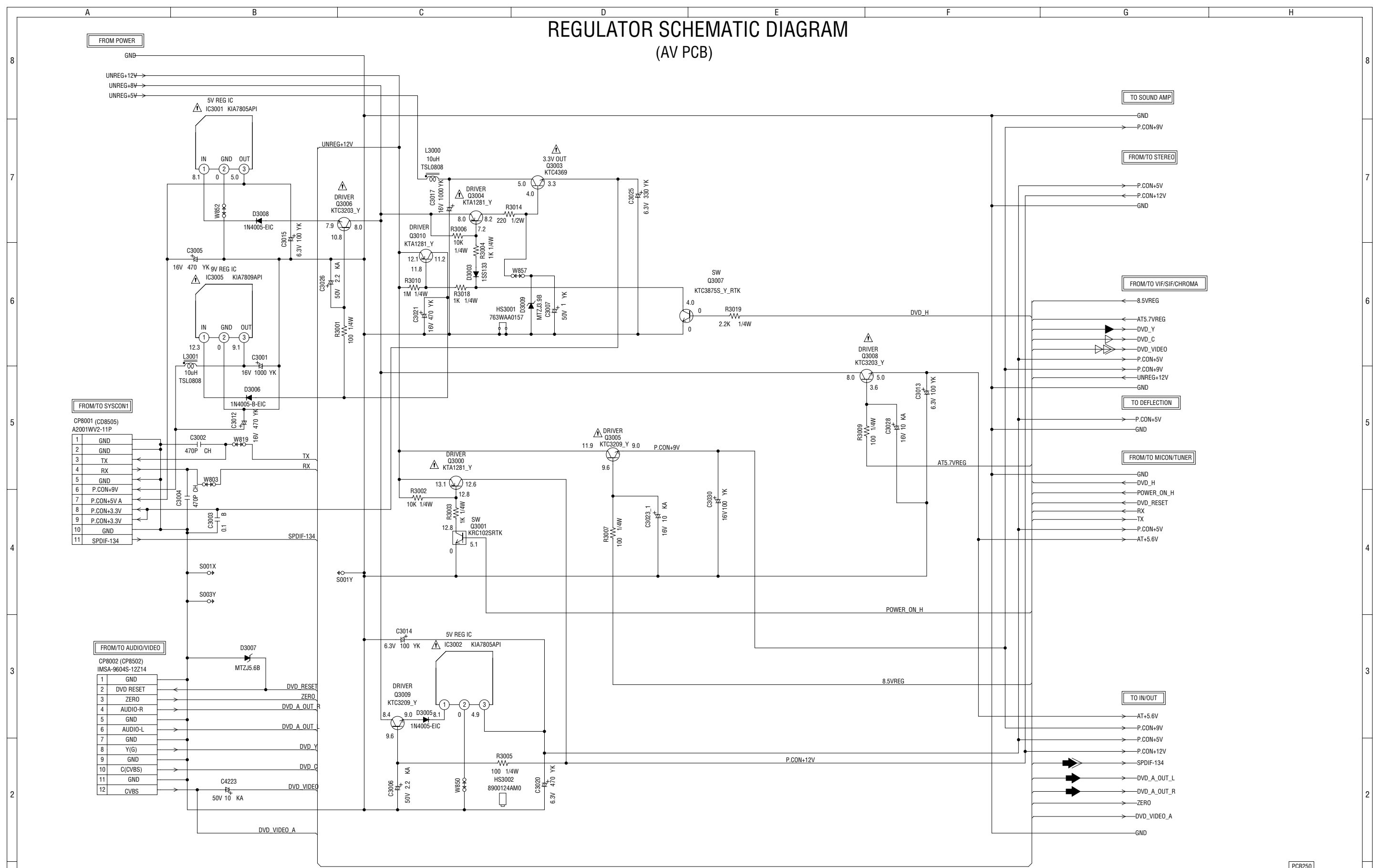
NOTE: THE DC VOLTAGE AT EACH PART WAS MEASURED WITH THE DIGITAL TESTER WHEN THE COLOR BROADCAST WAS RECEIVED IN GOOD CONDITION AND PICTURE IS NORMAL.

CAUTION SINCE THESE PARTS MARKED BY ARE CRITICAL FOR SAFETY, USE ONES DESCRIBED IN PARTS LIST ONLY.

ATTENTION :LES PIECES REPARRES PAR UN ETANT DANGEREUSES AN POINT DE VUE SECURITE N'UTOLISER QUE CELLS DECRITES DANS LA NOMENCLATURE DES PIECES.

PCB250
TMB555

REGULATOR SCHEMATIC DIAGRAM (AV PCB)



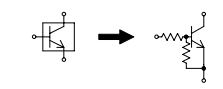
NOTE: THE DC VOLTAGE EACH PART WAS MEASURED WITH THE DIGITAL TESTER DURING PLAYBACK.

NOTE: THIS SCHEMATIC DIAGRAM IS THE LATEST AT THE TIME OF PRINTING AND SUBJECT TO CHANGE WITHOUT NOTICE.

CAUTION SINCE THESE PARTS MARKED BY ARE CRITICAL FOR SAFETY, USE ONES DESCRIBED IN PARTS LIST ONLY.

ATTENTION LES PIÈCES RÉPARÉES PAR UN ÉTANT DANGEREUSES AN POINT DE VUE SECURITE, N'UTILISER QUE CELLES DÉCRITES DANS LA NOMENCLATURE DES PIÈCES.

CAUTION: DIGITAL TRANSISTOR

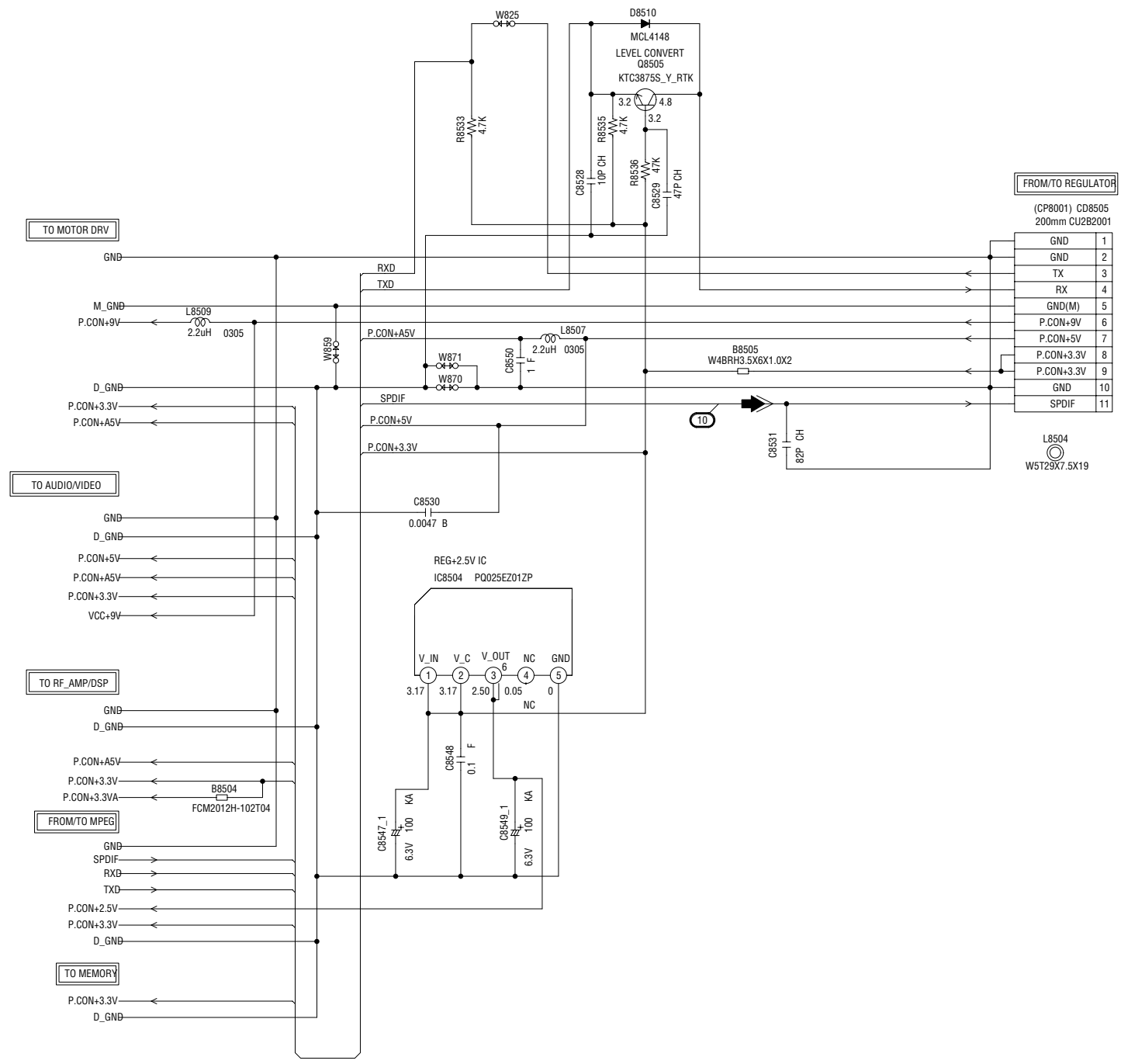


- DIGITAL AUDIO SIGNAL (PB)
- PLAYBACK LUMINANCE SIGNAL
- PLAYBACK COLOR SIGNAL
- PLAYBACK VIDEO SIGNAL
- AUDIO SIGNAL (PB)

PCB250
TM8555

REGULATOR2 SCHEMATIC DIAGRAM

(DVD MT PCB)



FROM/TO REGULATOR

(CP8001) CD8505
200mm CU2B2001

GND	1
GND	2
TX	3
RX	4
GND(M)	5
P.CON+9V	6
P.CON+5V	7
P.CON+3.3V	8
P.CON+3.3V	9
GND	10
SPDIF	11

NOTE: THIS SCHEMATIC DIAGRAM IS THE LATEST AT THE TIME OF PRINTING AND SUBJECT TO CHANGE WITHOUT NOTICE.

NOTE: THE DC VOLTAGE EACH PART WAS MEASURED WITH THE DIGITAL TESTER DURING PLAYBACK.

← DIGITAL AUDIO SIGNAL (PB)

PCB130
VMB283