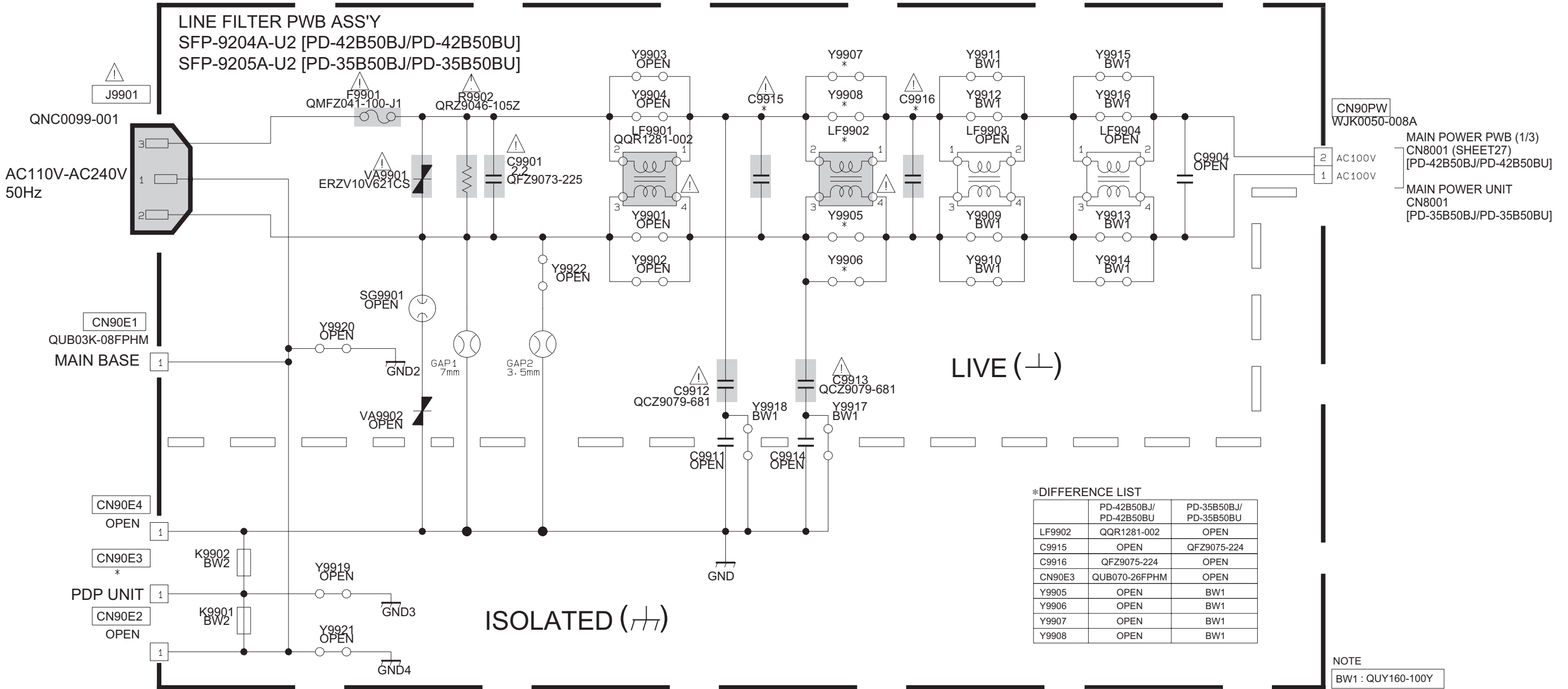


LINE FILTER PWB ASS'Y
 SFP-9204A-U2 [PD-42B50BJ/PD-42B50BU]
 SFP-9205A-U2 [PD-35B50BJ/PD-35B50BU]

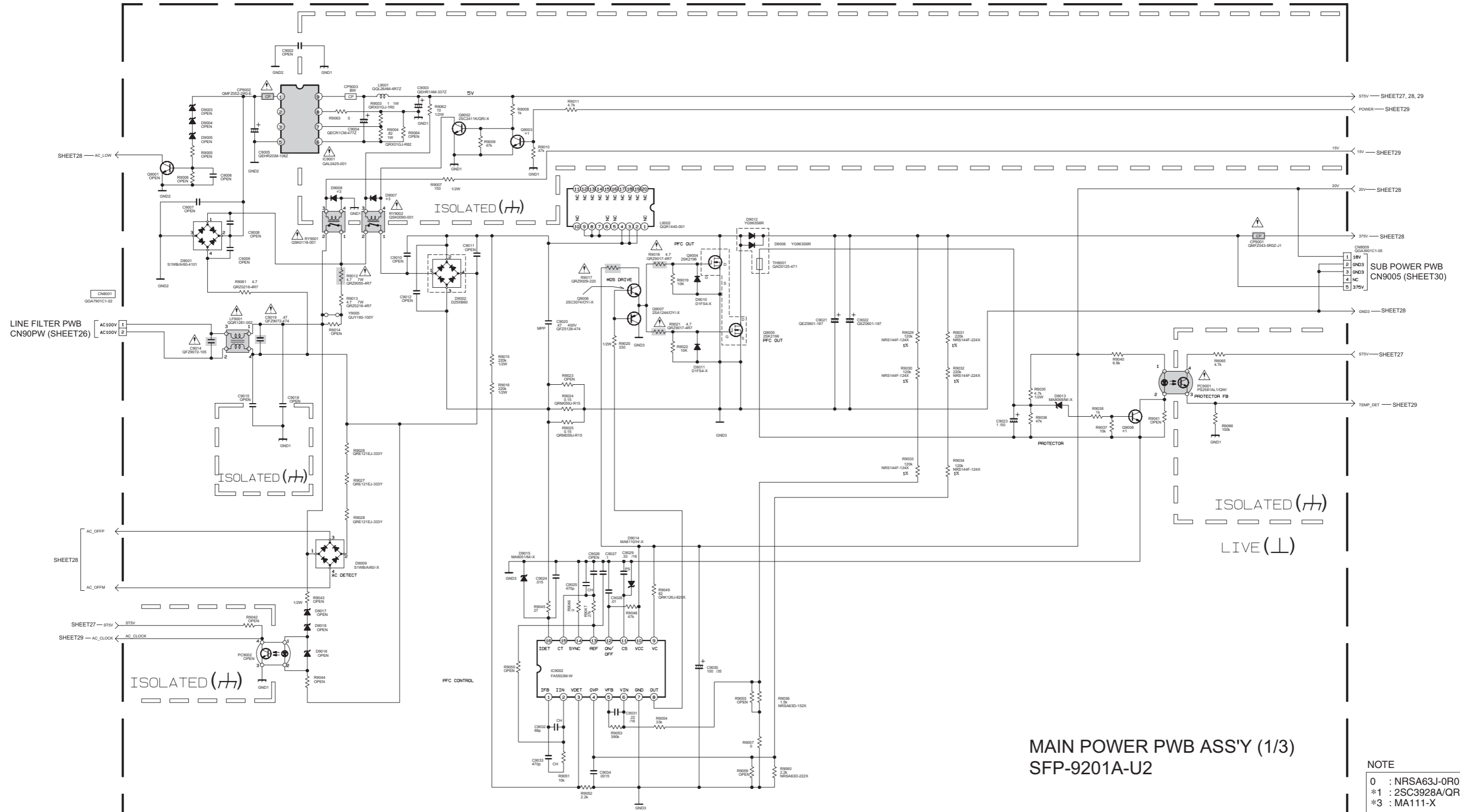


CN90PW
 WJK0050-008A
 AC100V
 AC100V
 MAIN POWER PWB (1/3)
 CN8001 (SHEET27)
 [PD-42B50BJ/PD-42B50BU]
 MAIN POWER UNIT
 CN8001
 [PD-35B50BJ/PD-35B50BU]

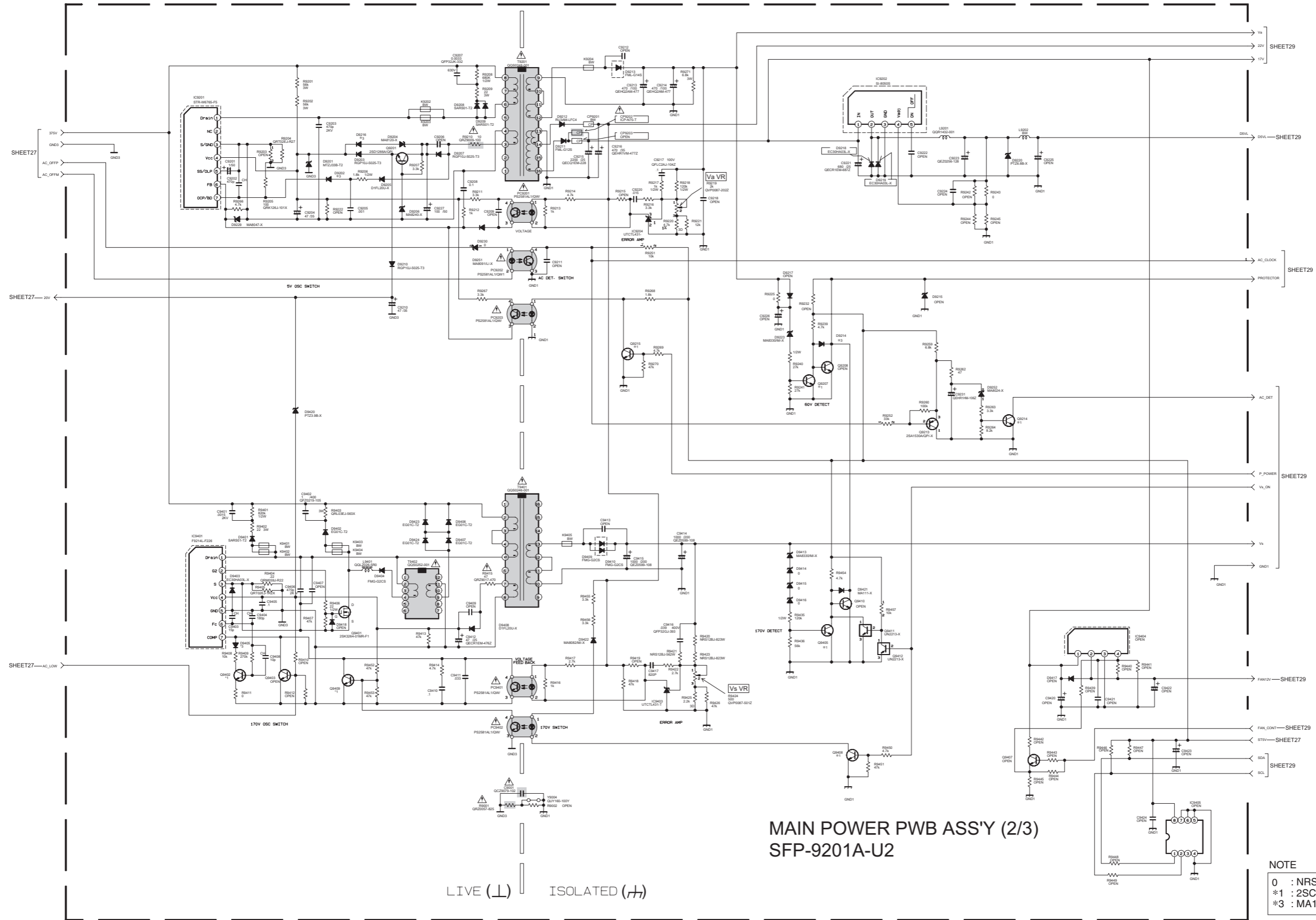
*DIFFERENCE LIST

	PD-42B50BJ/ PD-42B50BU	PD-35B50BJ/ PD-35B50BU
LF9902	QQR1281-002	OPEN
C9915	OPEN	QFZ9075-224
C9916	QFZ9075-224	OPEN
CN90E3	QUB070-26FPHM	OPEN
Y9905	OPEN	BW1
Y9906	OPEN	BW1
Y9907	OPEN	BW1
Y9908	OPEN	BW1

NOTE
 BW1 : QUY160-100Y



NOTE) Please refer to page 2-88 for voltages of this circuit diagram.



MAIN POWER PWB ASS'Y (2/3)
SFP-9201A-U2

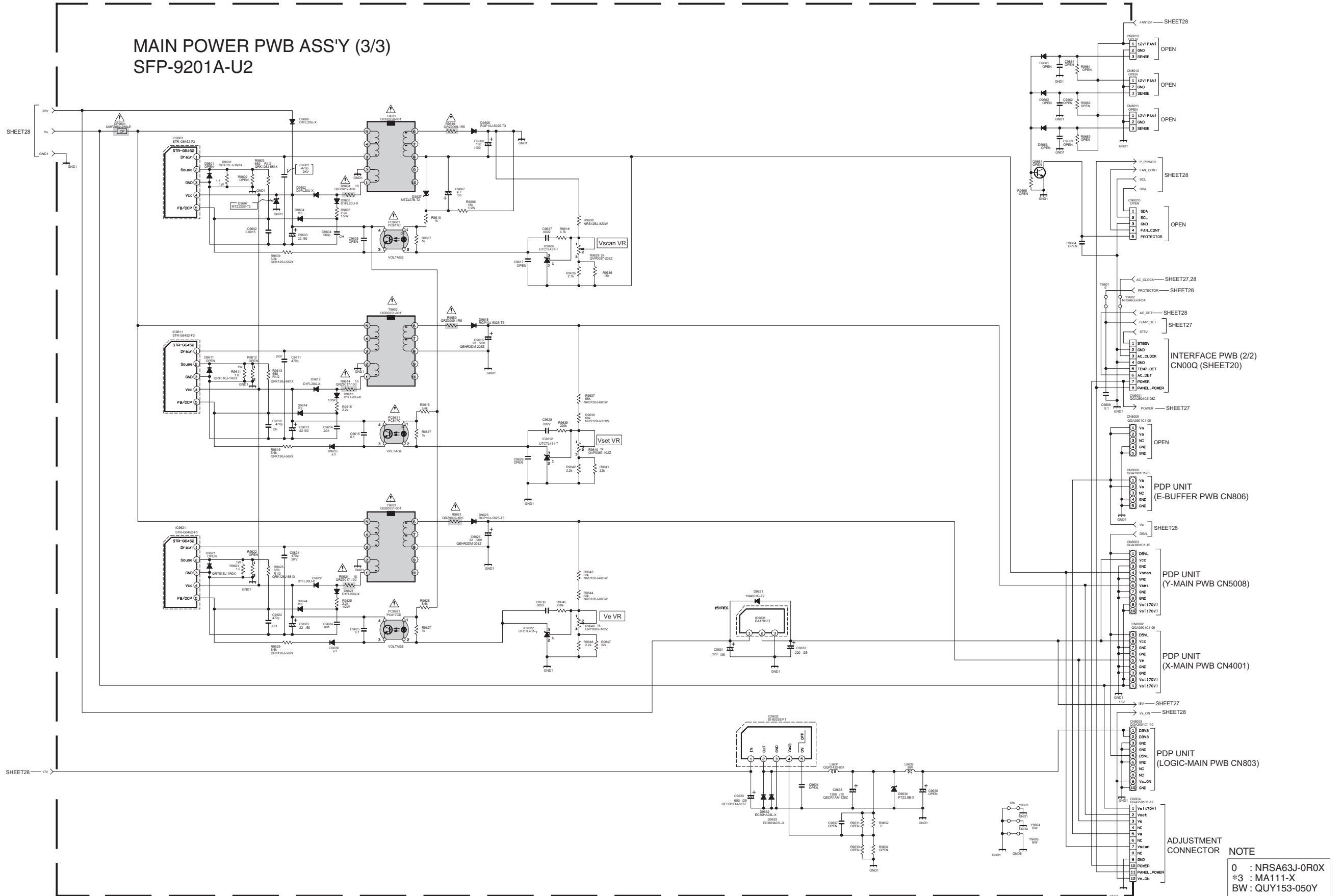
LIVE (⊥) ISOLATED (⊕)

NOTE

0	: NRSA63J-0R0X
*1	: 2SC3928A/QR/-X
*3	: MA111-X

NOTE) Please refer to page 2-88 for voltages of this circuit diagram.

MAIN POWER PWB ASS'Y (3/3)
SFP-9201A-U2



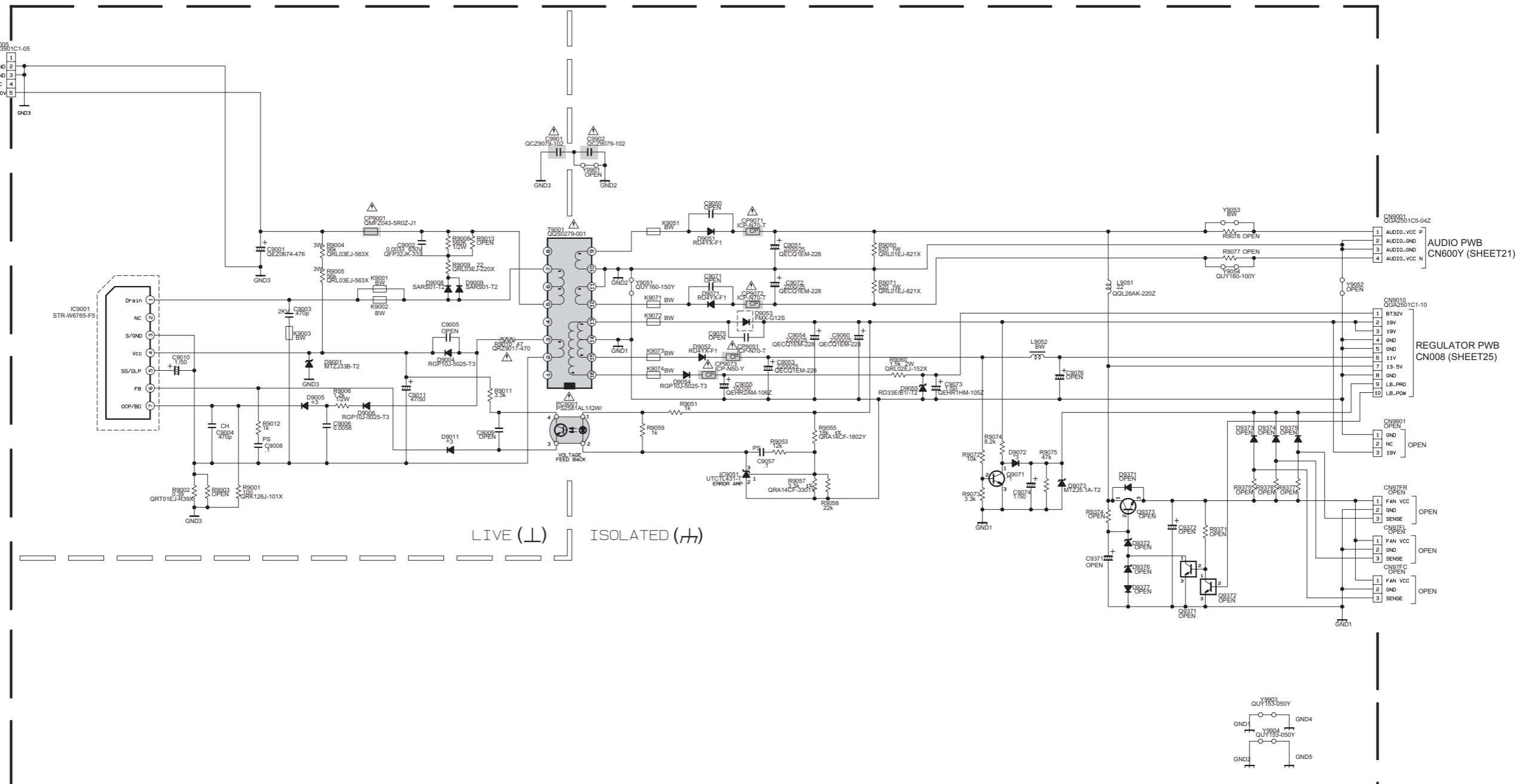
NOTE) Please refer to page 2-88 for voltages of this circuit diagram.

ADJUSTMENT CONNECTOR NOTE

0	: NRS63J-OR0X
*3	: MA111-X
BW	: QUY153-050Y

SUB POWER PWB CIRCUIT DIAGRAM SHEET30

MAIN POWER PWB (1/3)
CN8009 (SHEET27)
[PD-42B50BJ/PD-42B50U]
MAIN POWER UNIT
CN8009
[PD-35B50BJ/PD-35B50U]



**SUB POWER PWB ASS'Y
SFP-9202A-U2**

NOTE
0 : NRSA63J-0R0X
*3 : MA111-X
BW : QUY153-050Y

NOTE) Please refer to page 2-88 for voltages of this circuit diagram.